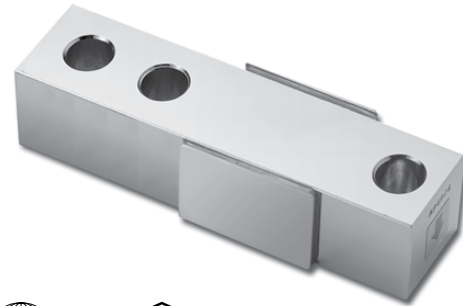


Single-Ended Beam

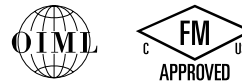
FEATURES

- Capacities: 500 kg, 1 t, 1.5 t, 2 t, and 2.5 t
- High side-load tolerance
- Electroless nickel-plated-alloy tool steel
- OIML C3 approval from 500 kg to 2.5 t
- **Optional**
 - FM approval available



APPLICATIONS

- Truck/rail scales
- Silo/hopper/tank weighing
- Platform scales (multiple load cells)
- Pallet truck scales
- Packaging machines



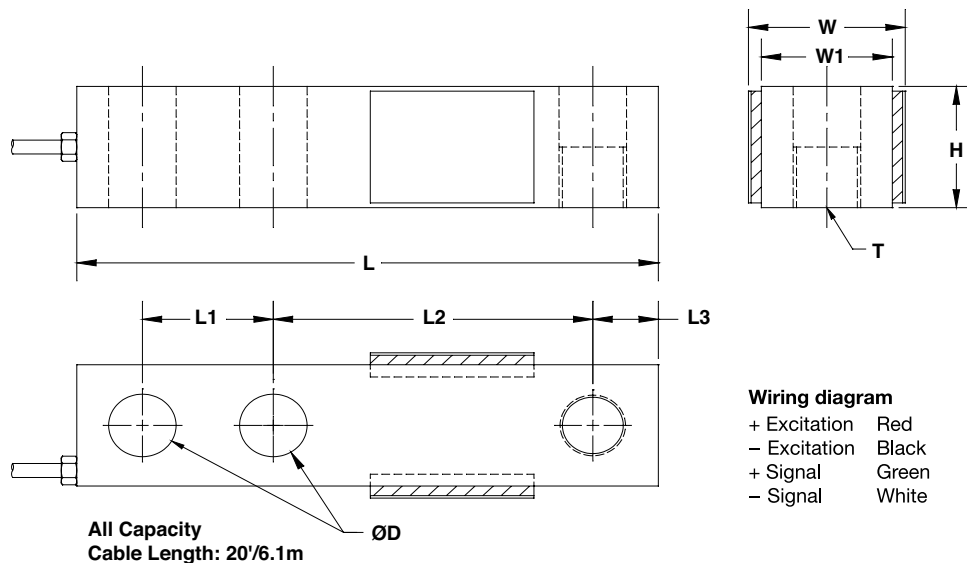
DESCRIPTION

SEB is a single-ended shear beam load cell designed for multiple cell applications such as low profile platform or small tank scales when used with proper mounting

accessories. It is insensitive to side loading and capable of reversed loading.

SEB is constructed of alloy steel and fully potted with special chemical compounds to IP67 to protect the cell from water and moisture damage.

OUTLINE DIMENSIONS



| CAPACITY | | L | L ₁ | L ₂ | L ₃ | W | W ₁ | H | D | T |
|----------------------------|------|-------|----------------|----------------|----------------|------|----------------|------|------|------------|
| 500 kg / 1 t / 1.5 t / 2 t | mm | 130.0 | 25.4 | 76.2 | 12.7 | 38.1 | 31.2 | 31.2 | 13.5 | M12 × 1.75 |
| | (in) | 5.12 | 1.00 | 3.00 | 0.50 | 1.50 | 1.25 | 1.25 | 0.53 | |
| 2.5 t | mm | 171.5 | 38.1 | 95.3 | 19.0 | 44.2 | 38.1 | 38.1 | 19.8 | M20 × 1.5 |
| | (in) | 6.75 | 1.50 | 3.75 | 0.75 | 1.74 | 1.50 | 1.50 | 0.78 | |

Document No.: 11705 Revision: 04-Sep-2017

Single-Ended Beam

| SPECIFICATIONS | | |
|---|-----------------------------|-----------------------|
| PARAMETER | VALUE | UNIT |
| NTEP/OIML accuracy class | C3 | |
| Maximum no. of intervals (n) | 3000 | |
| $Y = E_{max}/V_{min}$ | 10000 | Maximum available |
| Standard capacities (E_{max}) | 500, 1000, 1500, 2000, 2500 | kg |
| Rated output – R.O. | 3.0 | mV/V |
| Rated output tolerance | 0.25 | ±% of rated output |
| Zero balance | 1 | ±% of rated output |
| Non-linearity | 0.025 | ±% of rated output |
| Hysteresis | 0.025 | ±% of rated output |
| Non-repeatability | 0.020 | ±% of rated output |
| Creep error (20 minutes) | 0.030 | ±% of rated output |
| Zero return (20 minutes) | 0.030 | ±% of rated output |
| Temperature effect on min. dead load output | 0.0014 | ±% of rated output/°C |
| Temperature effect on sensitivity | 0.0008 | ±% of applied load/°C |
| Compensated temperature range | -10 to +40 | °C |
| Operating temperature range | -20 to +60 | °C |
| Safe overload | 150 | % of R.C. |
| Ultimate overload | 300 | % of R.C. |
| Excitation, recommended | 10 | VDC or VAC RMS |
| Excitation, maximum | 15 | VDC or VAC RMS |
| Input impedance | 385±5 | Ω |
| Output impedance | 350±3 | Ω |
| Insulation resistance | >5000 | MΩ |
| Construction | Nickel-plated alloy steel | |
| Environmental protection | IP67 | |

All specifications subject to change without notice.

FM Approval

Intrinsically Safe: Class I, II, III; Div. 1 Groups A-G

Non-Incendive: Class I; Div. 2 Groups A-D

Disclaimer

ALL PRODUCTS, PRODUCT SPECIFICATIONS AND DATA ARE SUBJECT TO CHANGE WITHOUT NOTICE.

Vishay Precision Group, Inc., its affiliates, agents, and employees, and all persons acting on its or their behalf (collectively, "VPG"), disclaim any and all liability for any errors, inaccuracies or incompleteness contained herein or in any other disclosure relating to any product.

The product specifications do not expand or otherwise modify VPG's terms and conditions of purchase, including but not limited to, the warranty expressed therein.

VPG makes no warranty, representation or guarantee other than as set forth in the terms and conditions of purchase. **To the maximum extent permitted by applicable law, VPG disclaims (i) any and all liability arising out of the application or use of any product, (ii) any and all liability, including without limitation special, consequential or incidental damages, and (iii) any and all implied warranties, including warranties of fitness for particular purpose, non-infringement and merchantability.**

Information provided in datasheets and/or specifications may vary from actual results in different applications and performance may vary over time. Statements regarding the suitability of products for certain types of applications are based on VPG's knowledge of typical requirements that are often placed on VPG products. It is the customer's responsibility to validate that a particular product with the properties described in the product specification is suitable for use in a particular application. You should ensure you have the current version of the relevant information by contacting VPG prior to performing installation or use of the product, such as on our website at vpgsensors.com.

No license, express, implied, or otherwise, to any intellectual property rights is granted by this document, or by any conduct of VPG.

The products shown herein are not designed for use in life-saving or life-sustaining applications unless otherwise expressly indicated. Customers using or selling VPG products not expressly indicated for use in such applications do so entirely at their own risk and agree to fully indemnify VPG for any damages arising or resulting from such use or sale. Please contact authorized VPG personnel to obtain written terms and conditions regarding products designed for such applications.

Product names and markings noted herein may be trademarks of their respective owners.

Copyright Vishay Precision Group, Inc., 2014. All rights reserved.

Document No.: 63999 Revision: 15-Jul-2014