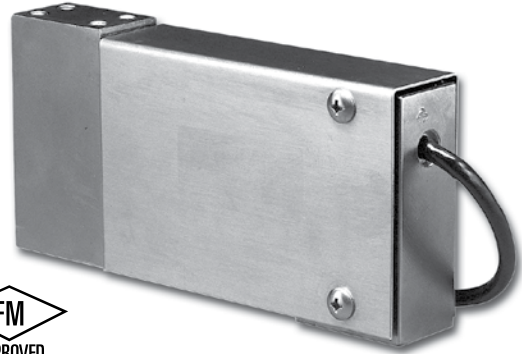


Low Profile Platform Cellfile Platform Cell

FEATURES

- Rated capacities of 25 to 1000 pounds
- Constructed of stainless steel
- Moment-compensated design for minimal sensitivity to moments induced by off-center loading
- Exceeds NIST H-44 requirements
- Provides optimum protection under adverse loading conditions
- *Sensorgage™* sealed to IP67 standards
- Factory Mutual System Approved for Classes I, II, III; Divisions 1 and 2; Groups A through G. Also, non-incendive ratings (No barriers!)



APPLICATIONS

- Single-point platform scales
- Belt conveyor scales
- Bench and counting scales
- Checkweighing scales
- Hopper scales and netweighing

This product's availability in capacities ranging from 25 to 1000 lbs. makes it ideal for many low to mid range capacity weighing applications. This load cell is most commonly used in platform scales, but can be adapted for use in many process weighing applications.

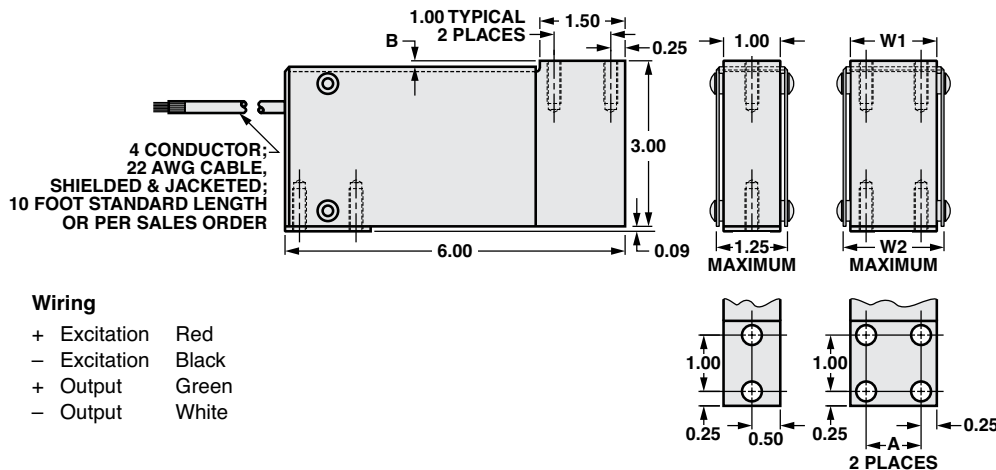
The stainless steel construction and IP67 sealing make this load cell ideal for harsh environment applications.

DESCRIPTION

The 60048 is a high precision, stainless steel, single point platform load cell.

This product is rated intrinsically safe by the Factory Mutual System (FM); making it suitable for use in potentially explosive environments.

OUTLINE DIMENSIONS in inches



CAPACITY	W1	W2	A	B	THREAD
25	--	--	--	0.04	1/4-28 UNF-2B THREAD X 0.75 MIN., 4 PLACES
50-100	--	--	--	0.04	1/4-28 UNF-2B THREAD X 0.75 MIN., 4 PLACES
200	--	--	--	0.04	1/4-28 UNF-2B THREAD X 0.75 MIN., 4 PLACES
400-500	1.00	1.25	0.50	0.04	1/4-28 UNF-2B THREAD X 0.75 MIN., 4 PLACES
1k	1.50	1.75	1.00	0.18	5/16-24 UNF-2B THREAD X 0.75 MIN., 8 PLACES

Capacities are in pounds.

Document No.: 11592 Revision: 29-Nov-2014

Low Profile Platform Cell

SPECIFICATIONS			
PARAMETER	VALUE		UNIT
Rated capacity—R.C. (E _{max})	25, 50, 100, 200, 400, 500, 1000		lbs
NTEP/OIML accuracy class	Non-Approved		
Rated output-R.O.	2.0		mV/V
Rated output tolerance	+0.25 ... -10%		±% mV/V
Zero balance	1.0		±% FSO
Combined error	0.03		±% FSO
Non-repeatability	0.01		±% FSO
Creep error (20 minutes)	0.03		±% FSO
Temperature effect on zero	0.0015		±% FSO/°F
Temperature effect on output	0.0008		±% of load/°F
Compensated temperature range	14 to 104 (-10 to 40)		°F (°C)
Operating temperature range	0 to 150 (-18 to 65)		°F (°C)
Storage temperature range	-60 to 185 (-50 to 85)		°F (°C)
Sideload rejection ratio	500:1		
Safe sideload	30		% of R.C.
Maximum safe central overload	150		% of R.C.
Ultimate central overload	300		% of R.C.
Excitation, recommended	10		VDC or VAC RMS
Excitation, maximum	15		VDC or VAC RMS
Input impedance	350–450		Ω
Output impedance	349–355		Ω
Insulation resistance at 50 VDC	>1000		MΩ
Material	Stainless steel		
Environmental protection	IP67		
Moment compensation	25–500 lbs	1000 lbs	
Moment sensitivity	0.005	0.007	±% of load/inch
Maximum moment	10 x capacity	15000	lbs-inches
Platform size	20 x 20	30 x 30	inches

FSO—Full Scale Output

All specifications subject to change without notice.