

Load Cell Mounting Assembly for Models 355, 3410, 3420 and 3510

FEATURES

- Simplifies load cell installation on tanks, silos, and other weighing vessels
- 3 models suitable for load cell Models 3510, 3410, 3420, and 355
- Accepts load cells ranging in capacity from 5 to 5,000 kg
- Permanent protection against load cell damage
- Grounding strap provides low resistance path to minimize electrical potentials
- Provision for thermal expansion, contraction and lift-off due to winds or collision
- Cable gland protector prevents cable damage
- Stainless steel construction
- Internal jack for load cell easy installation and replacing
- Ball and cup version also available

APPLICATIONS

- Hostile environments applications
- Process control
- Batch weighing
- Silo/hopper weighing
- Belt scale weighing

DESCRIPTION

The CellMate™ is a superior load cell mounting assembly that dramatically simplifies load cell installation.

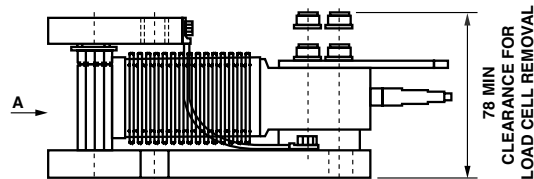
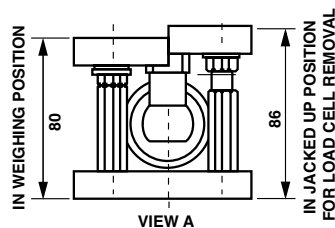


A perfect solution to vessel weighing in dairies, chemical, bottling, and food processing plants, stainless steel CellMate™ mounts can be used on tanks, silos, and many other weighing vessels and applications.

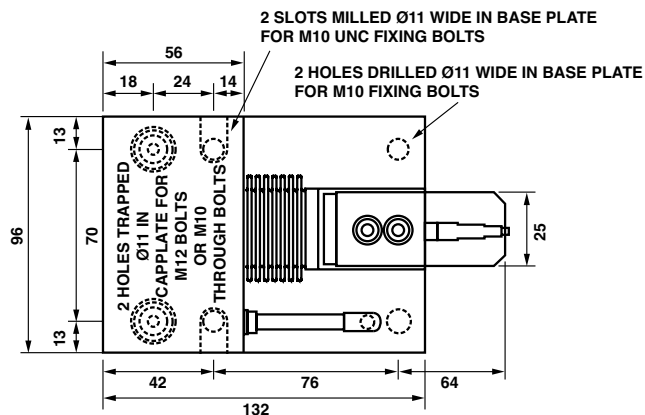
The CellMate™ family of mountings also provides an unparalleled degree of protection for load cells and maintains a permanent load cell safety system, reducing load cell damage and plant down-time.

CellMate™ assemblies are available in three models with weighing capacities from 5 to 5000 kg in stainless steel. Standard dimensions and hole sizes provide for fast and easy placement of load cells. Ideal for use with Tedeo-Huntleigh's line of hermetically sealed shear and bending beam load cells. CellMate™ includes an internal jack which enables users to install the fittings on silos or tanks with or without load cells.

OUTLINE DIMENSIONS in millimeters



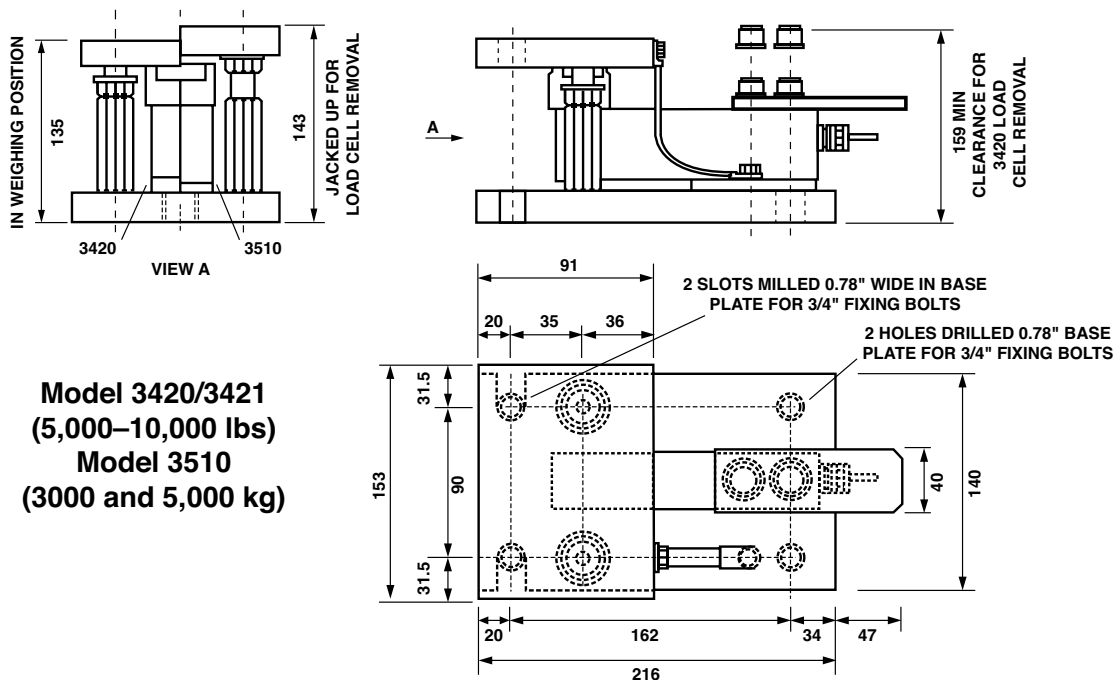
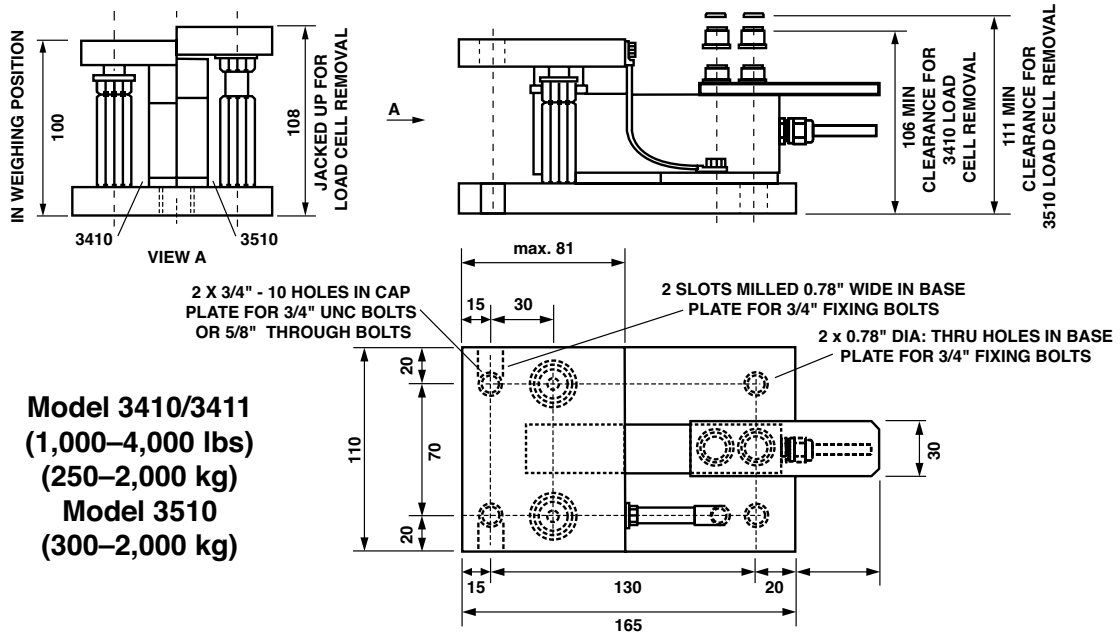
**Model 355
(5–500 kg)**



Document No.: 12072 Revision: 20 Dec 2014

Load Cell Mounting Assembly for Models 355, 3410, 3420 and 3510

OUTLINE DIMENSIONS in millimeters



Disclaimer

ALL PRODUCTS, PRODUCT SPECIFICATIONS AND DATA ARE SUBJECT TO CHANGE WITHOUT NOTICE.

Vishay Precision Group, Inc., its affiliates, agents, and employees, and all persons acting on its or their behalf (collectively, "VPG"), disclaim any and all liability for any errors, inaccuracies or incompleteness contained herein or in any other disclosure relating to any product.

The product specifications do not expand or otherwise modify VPG's terms and conditions of purchase, including but not limited to, the warranty expressed therein.

VPG makes no warranty, representation or guarantee other than as set forth in the terms and conditions of purchase. **To the maximum extent permitted by applicable law, VPG disclaims (i) any and all liability arising out of the application or use of any product, (ii) any and all liability, including without limitation special, consequential or incidental damages, and (iii) any and all implied warranties, including warranties of fitness for particular purpose, non-infringement and merchantability.**

Information provided in datasheets and/or specifications may vary from actual results in different applications and performance may vary over time. Statements regarding the suitability of products for certain types of applications are based on VPG's knowledge of typical requirements that are often placed on VPG products. It is the customer's responsibility to validate that a particular product with the properties described in the product specification is suitable for use in a particular application. You should ensure you have the current version of the relevant information by contacting VPG prior to performing installation or use of the product, such as on our website at vpgsensors.com.

No license, express, implied, or otherwise, to any intellectual property rights is granted by this document, or by any conduct of VPG.

The products shown herein are not designed for use in life-saving or life-sustaining applications unless otherwise expressly indicated. Customers using or selling VPG products not expressly indicated for use in such applications do so entirely at their own risk and agree to fully indemnify VPG for any damages arising or resulting from such use or sale. Please contact authorized VPG personnel to obtain written terms and conditions regarding products designed for such applications.

Product names and markings noted herein may be trademarks of their respective owners.

Copyright Vishay Precision Group, Inc., 2014. All rights reserved.

Document No.: 63999 Revision: 15-Jul-2014