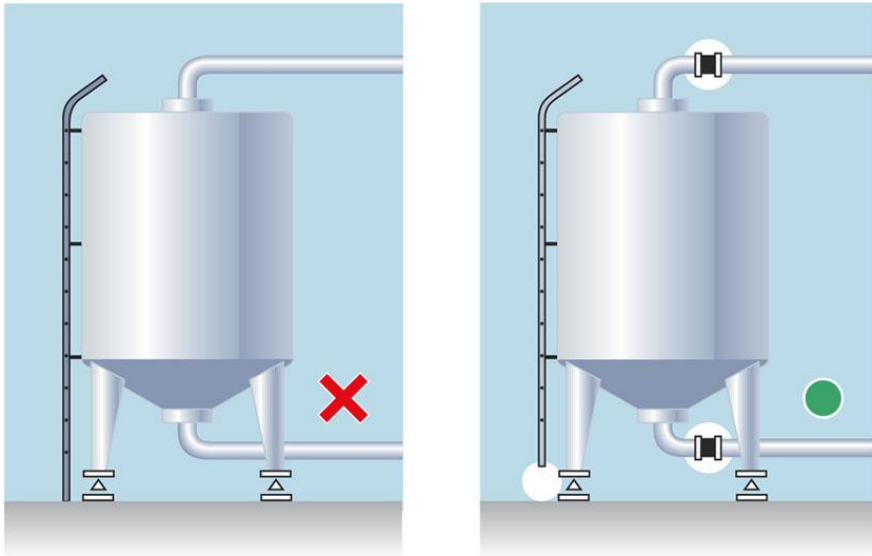
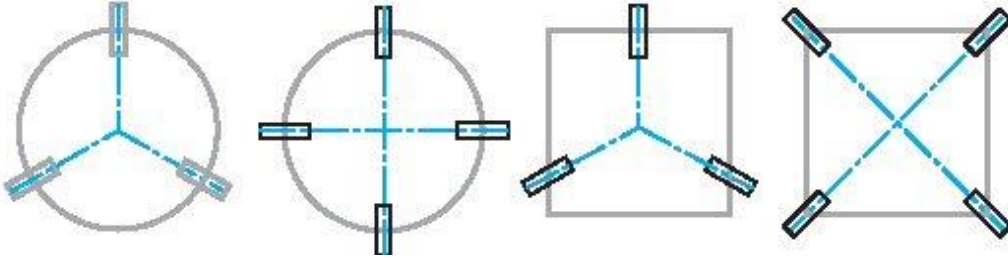
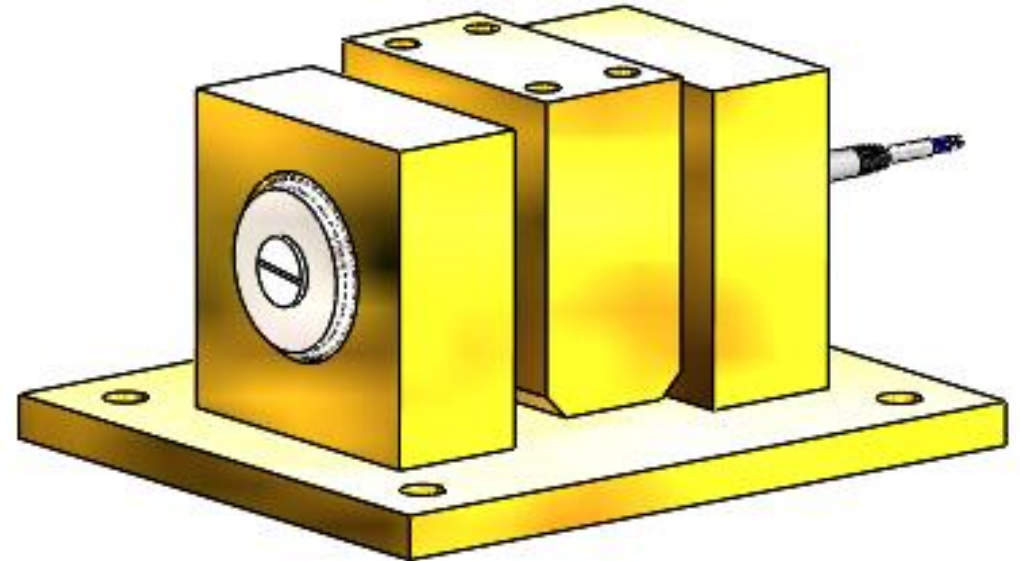


Example of LOAD MODULE orientation



To achieve good weighing results, always use flexible connections to the vessel and check that no ladders or other arrangements connect the weighed vessel to surrounding foundation, walls or roof.

Advices for mounting KDH-5



1

Standard LOAD MODULE

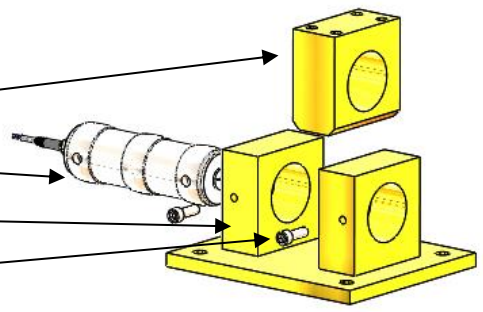
parts

YOKE

LOAD CELL

BRACKET

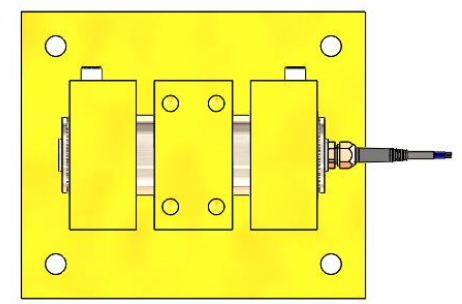
LOCKING SCREWS



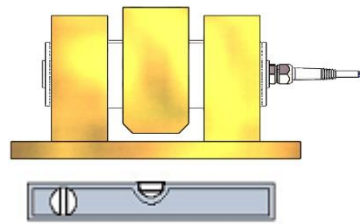
Assemble LOAD CELL, BRACKET, and YOKE to one LOAD MODULE.

5

Check that there is a lateral play between YOKE and LOAD CELL by making sure that it is aligned with the LOAD CELL.



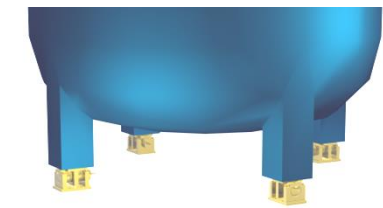
2



Level the LOAD MODULE within $\pm 1^\circ$ in both directions.

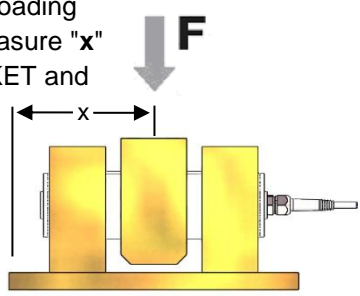
6

Attach YOKES under the vessel supports and position the vessel on the LOAD MODULES. Observe that the bedding should be horizontal. Mark the hole pattern and drill. Mount the bolts; re-position the LOAD MODULES and the vessel.



3

Recommended loading point. Check measure "x" between BRACKET and YOKE.



| KDH-5 | |
|---------|--------|
| F (kN) | x (mm) |
| 20-100 | 100 |
| 100-500 | 150 |
| 1000 kN | 200 |
| 2000 kN | 225 |

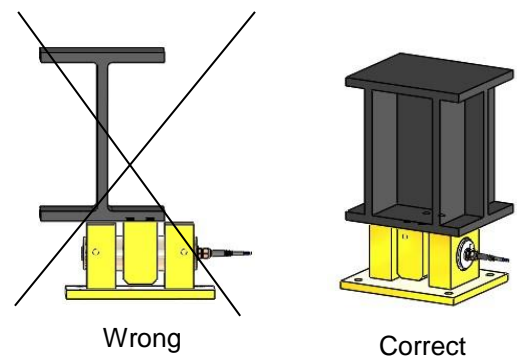
7

Check again the measure "x" between BRACKET and YOKE, and that the lateral play between YOKE and LOAD CELL is preserved.

For installations with four LOAD MODULES or more, the LOAD CELL output signals should be checked. Add shims between vessel support and YOKE to achieve similar signal levels.

4

Observe loading point position relative surrounding mechanical construction. It is very important that this is strong and must be rigid enough.



8

Important notices:

IMPORTANT! WHEN DELIVERED THE MODULES ARE ONLY MOUNTED FOR TRANSPORTATION!

Tighten all bolts and nuts according to engineering standards. Do not perform any welding with the LOAD MODULE in place.