

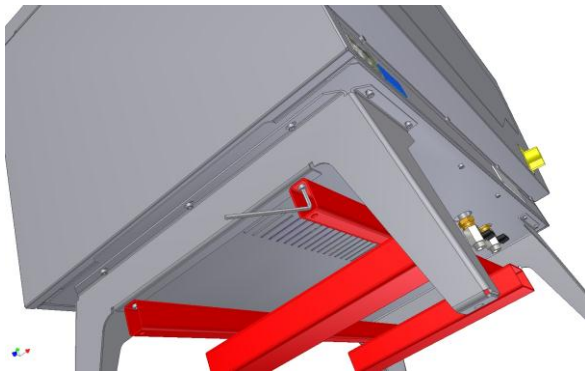
# GYROWASH<sup>815</sup> INSTALLATION

---

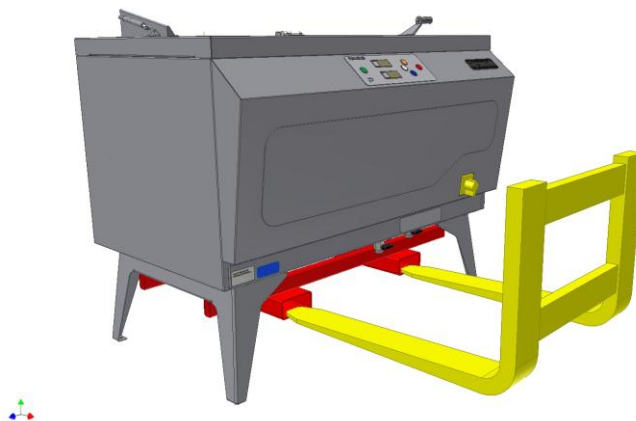
## GYROWASH 815 - ALL MODELS

### **IMPORTANT NOTES TO BE READ BEFORE LIFTING THE INSTRUMENT**

Using the 5mm Hexagon Key supplied, check the Lifting Frame fixing screws are tight after unpacking the wooden case and before lifting.

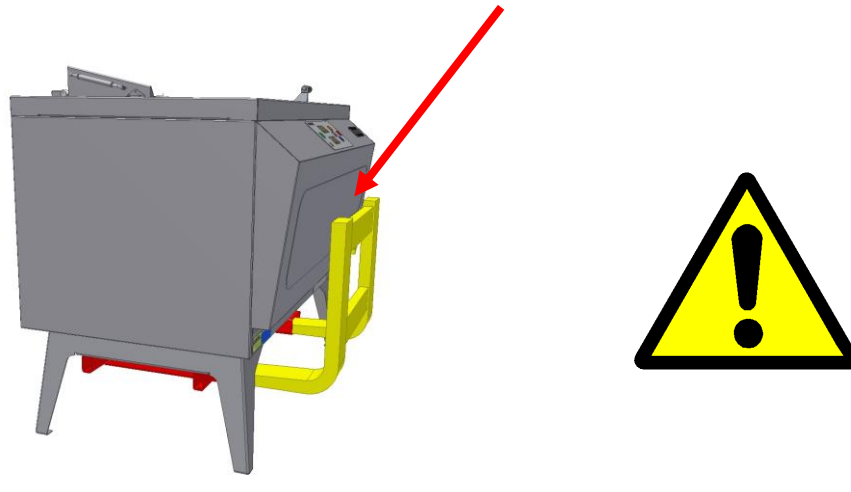


Align the Forklift Truck Legs.



Insert the Forklift Truck Legs through the two large channels without contact with the front of the instrument.

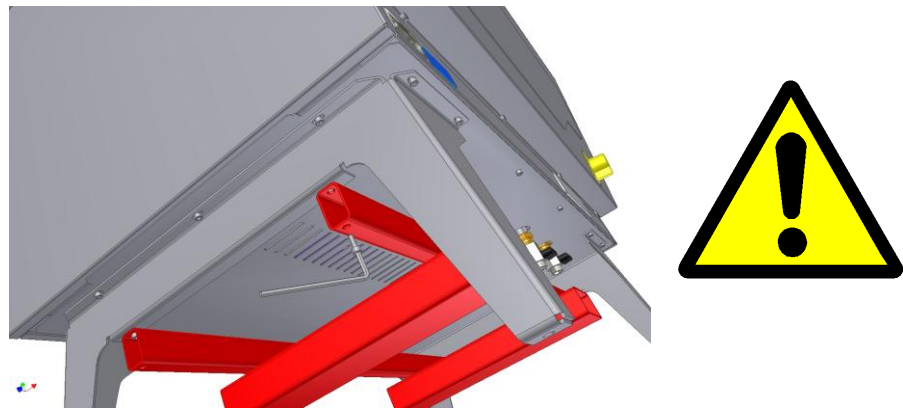
Protect the front of the instrument from damage by the FLT.



Lift and move the instrument to the required position in the Laboratory.

Unbolt and remove the Lifting Frame.

To avoid damage to the underside of the instrument, the Lifting Frame must be supported on both sides when removing.



Store the Lifting Frame, screws and 5mm Hexagonal Key should instrument require moving again.

