

BRUSHED STAINLESS STEEL

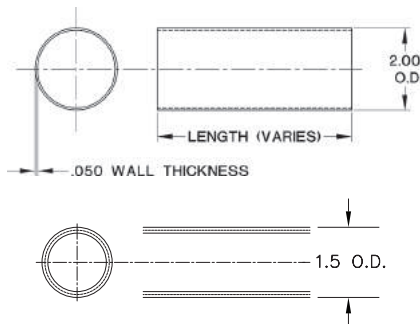
BAR RAIL TECHNICAL SPECIFICATIONS

KEGWORKS
Tools for Drinking

When installing your bar rail, it's important to build with precision. These technical drawings will provide you with accurate measurements, but please call one of our sales representatives if you have any questions about measurements or installation.

TUBING

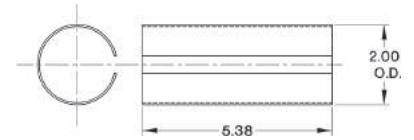
As a part of our line of standard line of bar foot rail products, Brushed Stainless Steel is spec'd by outside diameter. Brushed Stainless Steel 2" and 1½" outside diameter tubing and components are kept in stock and ready to ship, but 1" components are available by request.



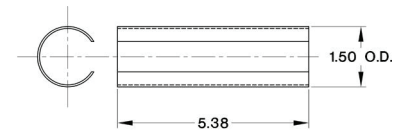
Custom Order Only -
Please call 866.249.2337 for assistance



SPLICING SLEEVES



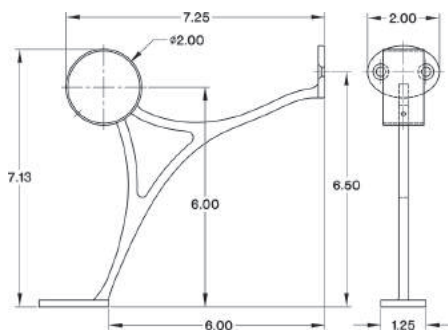
Internal Splicing Sleeve for 2" OD Tubing



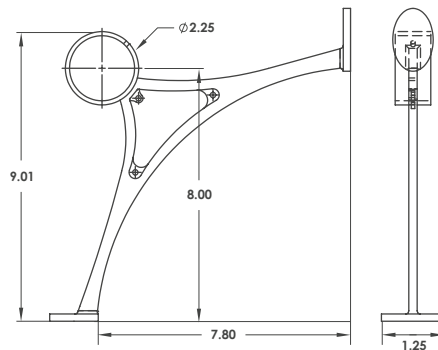
Internal Splicing Sleeve for 1.5" OD Tubing

BRACKETS

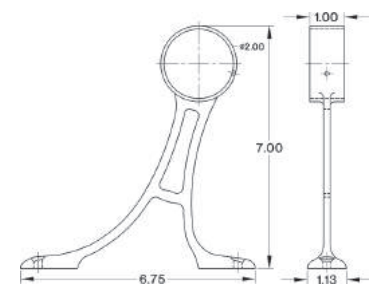
2" OD



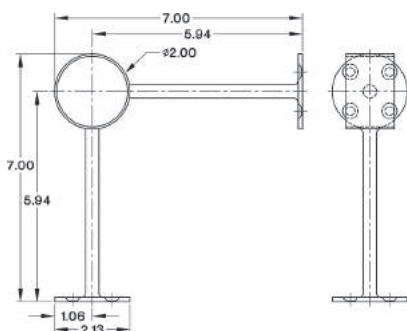
2" Brushed Stainless Steel
Combination Foot Rail Bracket



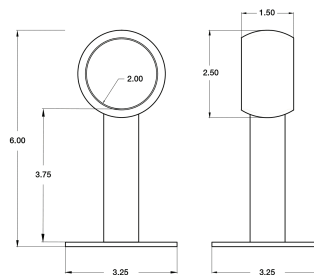
2" Brushed Stainless Steel
Combination Foot Rail Bracket



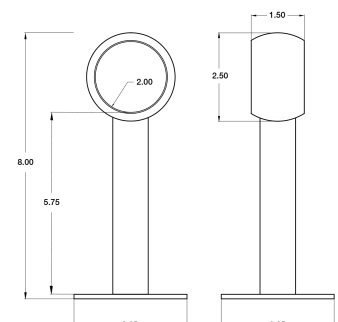
2" Brushed Stainless Steel
Floor Mount Foot Rail Bracket



2" Brushed Stainless Steel
90 deg. Post Foot Rail Bracket



2" Brushed Stainless Steel
Rounded Center Post Bracket



2" Brushed Stainless Steel
Tall Rounded Center Post Bracket

BRUSHED STAINLESS STEEL

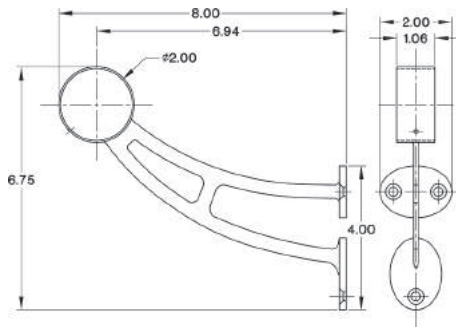
BAR RAIL TECHNICAL SPECIFICATIONS

KEGWORKS
Tools for Drinking

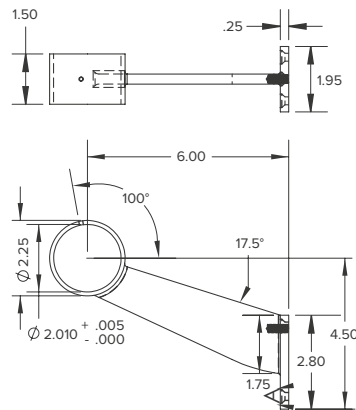
When installing your bar rail, it's important to build with precision. These technical drawings will provide you with accurate measurements, but please call one of our sales representatives if you have any questions about measurements or installation.

BRACKETS

2" OD (cont.)

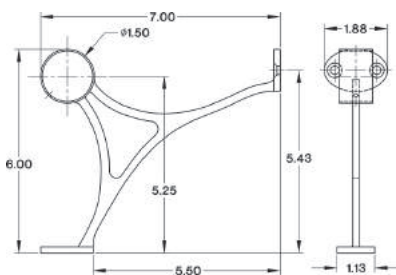


**2" Brushed Stainless Steel
Bar Mount Foot Rail Bracket**

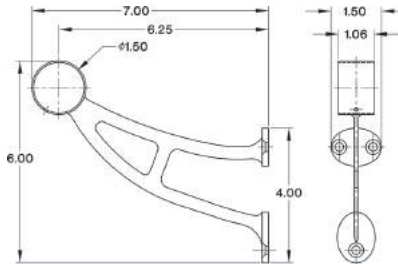


**2" Brushed Stainless Steel
Contemporary Foot Rail Bracket**

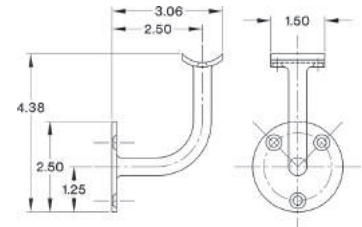
1.5" OD



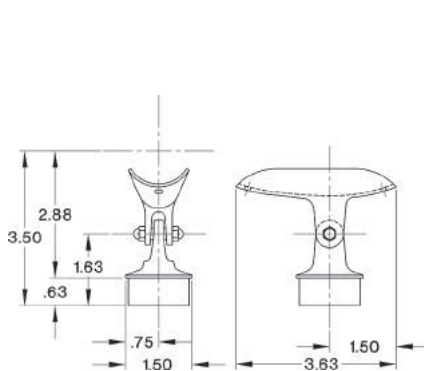
**1.5" Brushed Stainless Steel
Combination Foot Rail Bracket**



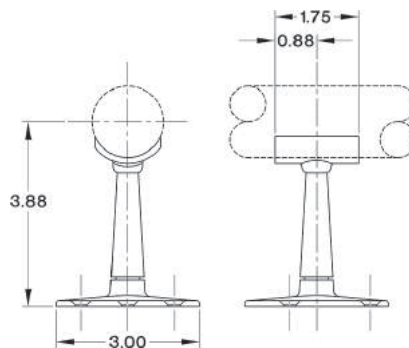
**1.5" Brushed Stainless Steel
Bar Mount Foot Rail Bracket**



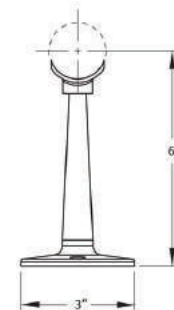
**1.5" Brushed Stainless Steel
Handrail Bracket**



**1.5" Brushed Stainless Steel
Adjustable Saddle Post Foot Rail Bracket**



**1.5" Brushed Stainless Steel
Low Saddle Post**



**1.5" Brushed Stainless Steel
Saddle Post**

BRUSHED STAINLESS STEEL

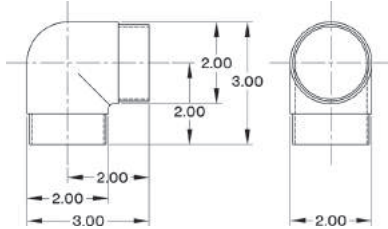
BAR RAIL TECHNICAL SPECIFICATIONS

KEGWORKS
Tools for Drinking

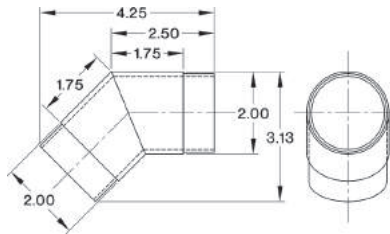
When installing your bar rail, it's important to build with precision. These technical drawings will provide you with accurate measurements, but please call one of our sales representatives if you have any questions about measurements or installation.

ELBOWS & FITTINGS

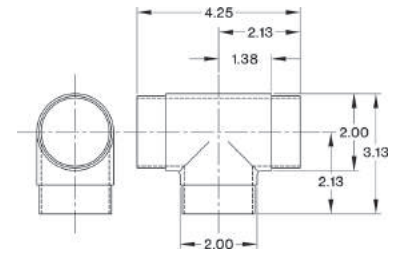
2" OD



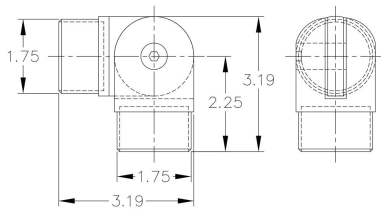
**2" Brushed Stainless Steel
Flush Elbow Fitting 90 Degree**



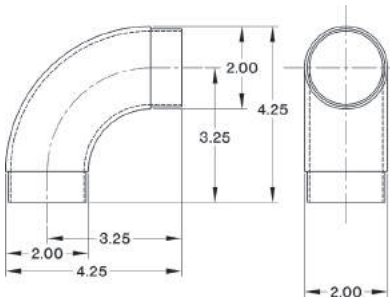
**2" Brushed Stainless Steel
Flush Angle Fitting 135(45) Degree**



**2" Brushed Stainless Steel
Flush Tee Handrail Fitting**

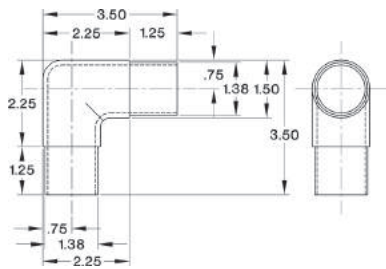


**2" Brushed Stainless Steel
Adjustable Flush Elbow Fitting**

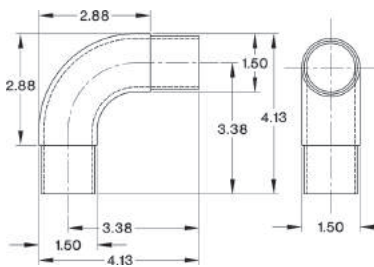


**2" Brushed Stainless Steel
Curved Flush Elbow Fitting 90 Degree**

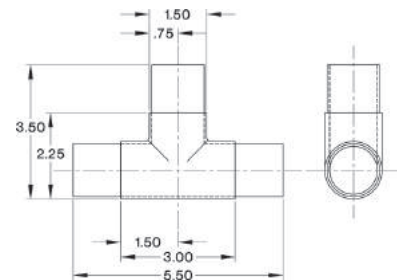
1.5" OD



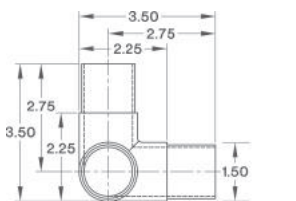
**1.5" Brushed Stainless Steel
Flush Elbow Fitting 90 Degree**



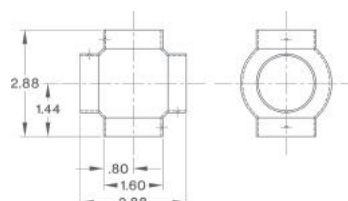
**1.5" Brushed Stainless Steel
Curved Flush Elbow Fitting 90 Degree**



**1.5" Brushed Stainless Steel
Flush Tee Handrail Fitting**



**1.5" Brushed Stainless Steel
Flush Side Outlet Handrail Elbow Fitting**



**1.5" Brushed Stainless Steel
Flush Cross Fitting**

BRUSHED STAINLESS STEEL

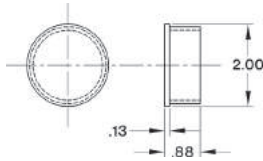
BAR RAIL TECHNICAL SPECIFICATIONS

KEGWORKS
Tools for Drinking

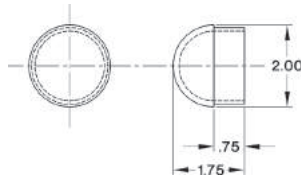
When installing your bar rail, it's important to build with precision. These technical drawings will provide you with accurate measurements, but please call one of our sales representatives if you have any questions about measurements or installation.

END CAPS

2" OD

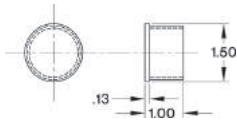


**2" Brushed Stainless Steel
Flushed Flat End Cap**

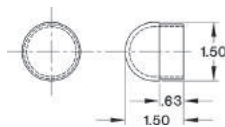


**2" Brushed Stainless Steel
Domed End Cap**

1.5" OD

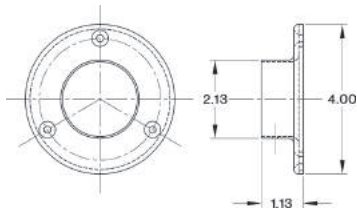


**1.5" Brushed Stainless Steel
Flushed Flat End Cap**

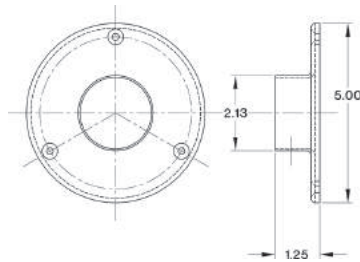


**1.5" Brushed Stainless Steel
Domed End Cap**

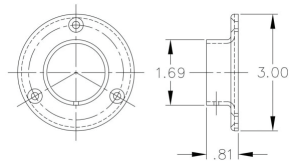
FLANGES



**Brushed Stainless Steel
4" Wall Flange (2" OD)**



**Brushed Stainless Steel
5" Heavy Duty Floor & Ceiling Flange (2" OD)**



**Brushed Stainless Steel
3" Wall Flange (1.5" OD)**