

POLISHED BRASS BAR RAIL

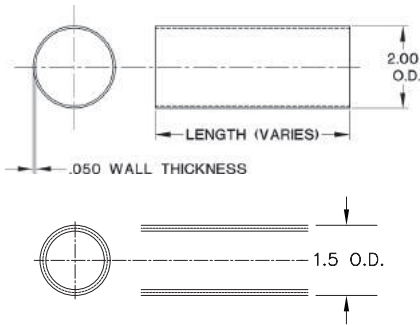
TECHNICAL SPECIFICATIONS

KEGWORKS
Tools for Drinking

When installing your bar rail, it's important to build with precision. These technical drawings will provide you with accurate measurements, but please call one of our sales representatives if you have any questions about measurements or installation.

TUBING

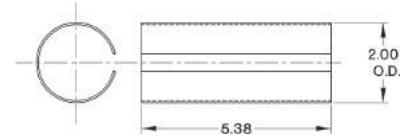
As a part of our line of standard line of bar foot rail products, Polished Brass is spec'd by outside diameter. Polished Brass 2" and 1½" outside diameter tubing and components are kept in stock and ready to ship, but 1" components are available by request.



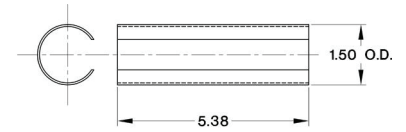
Custom Order Only -
Please call 866.249.2337 for assistance



SPLICING SLEEVES



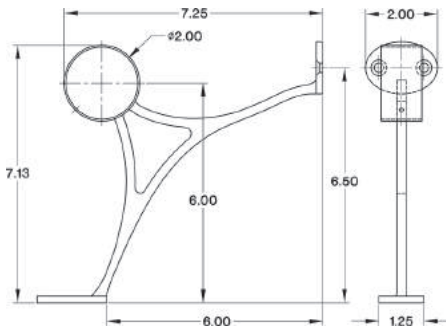
Internal Splicing Sleeve for 2" OD Tubing



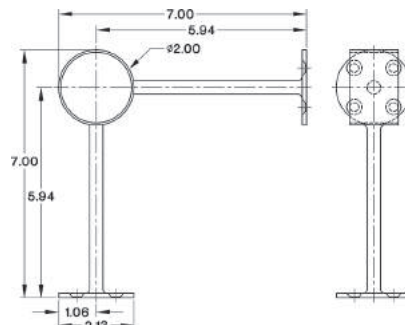
Internal Splicing Sleeve for 1.5" OD Tubing

BRACKETS

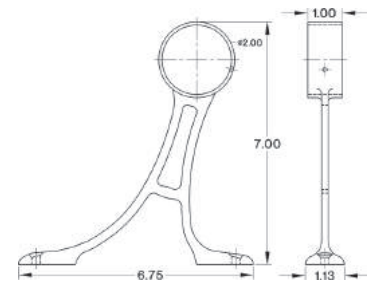
2" OD



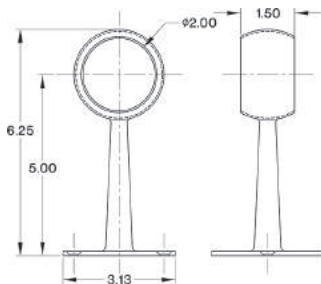
2" Polished Brass
Combination Foot Rail Bracket



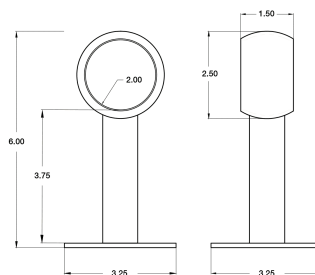
2" Polished Brass
90 deg. Post Foot Rail Bracket



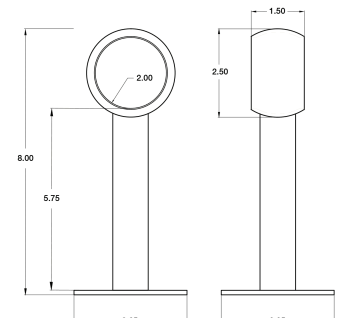
2" Polished Brass
Floor Mount Foot Rail Bracket



2" Polished Brass
Center Post Bracket



2" Polished Brass
Rounded Center Post Bracket



2" Polished Brass
Tall Rounded Center Post Bracket

POLISHED BRASS BAR RAIL

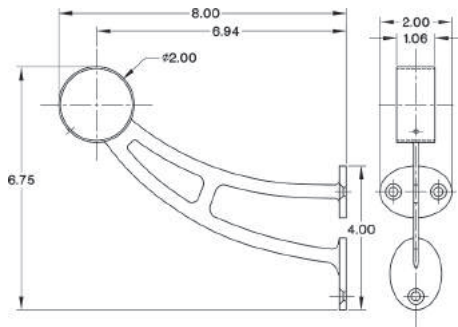
TECHNICAL SPECIFICATIONS

KEGWORKS
Tools for Drinking

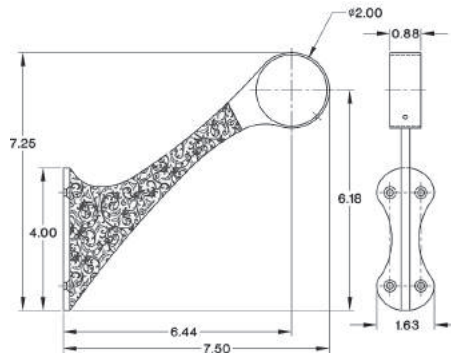
When installing your bar rail, it's important to build with precision. These technical drawings will provide you with accurate measurements, but please call one of our sales representatives if you have any questions about measurements or installation.

BRACKETS

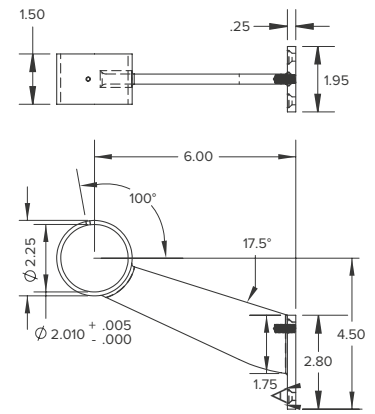
2" OD (cont.)



2" Polished Brass
Bar Mount Foot Rail Bracket

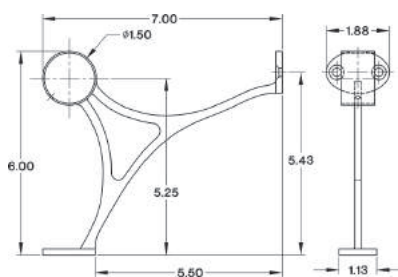


2" Polished Brass
Decorative Bar Foot Rail Bracket

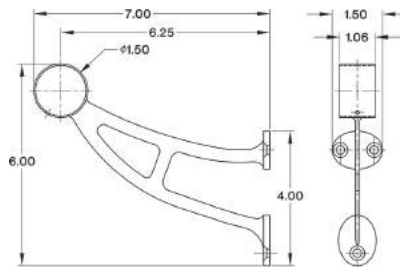


2" Polished Brass
Contemporary Foot Rail Bracket

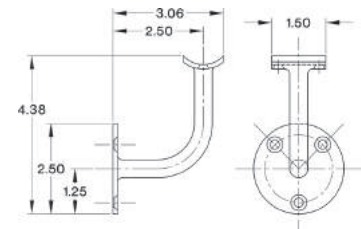
1.5" OD



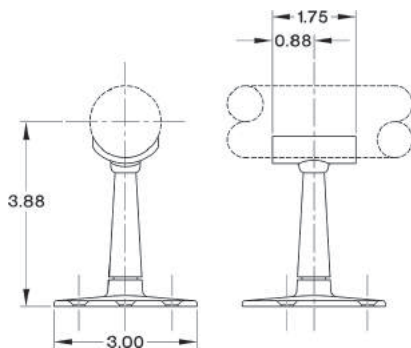
1.5" Polished Brass
Combination Foot Rail Bracket



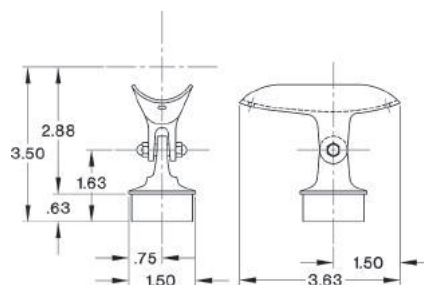
1.5" Polished Brass
Bar Mount Foot Rail Bracket



1.5" Polished Brass
Handrail Bracket



1.5" Polished Brass
Low Saddle Post



1.5" Polished Brass
Adjustable Saddle Post

POLISHED BRASS BAR RAIL

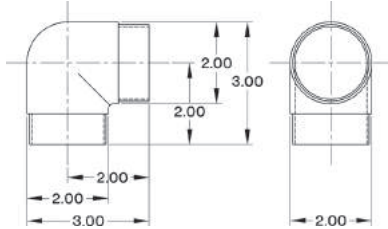
TECHNICAL SPECIFICATIONS

KEGWORKS
Tools for Drinking

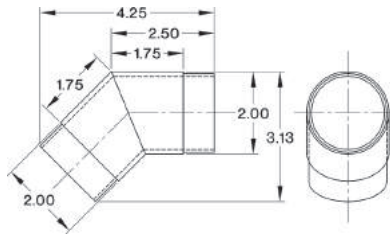
When installing your bar rail, it's important to build with precision. These technical drawings will provide you with accurate measurements, but please call one of our sales representatives if you have any questions about measurements or installation.

ELBOWS & FITTINGS

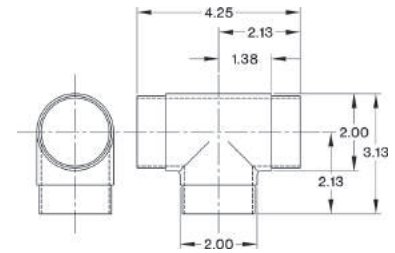
2" OD



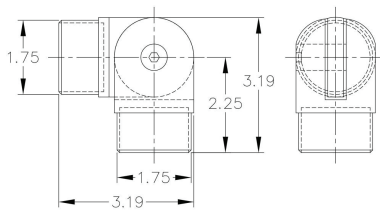
**2" Polished Brass
Flush Elbow Fitting 90 Degree**



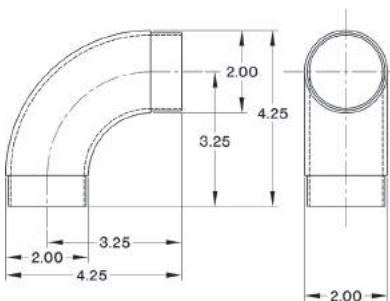
**2" Polished Brass
Flush Angle Fitting 135(45) Degree**



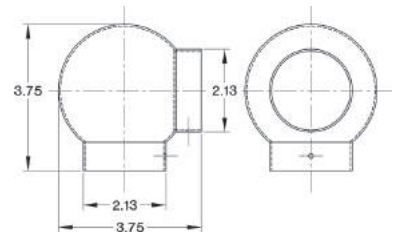
**2" Polished Brass
Flush Tee Handrail Fitting**



**2" Polished Brass
Adjustable Flush Elbow Fitting**

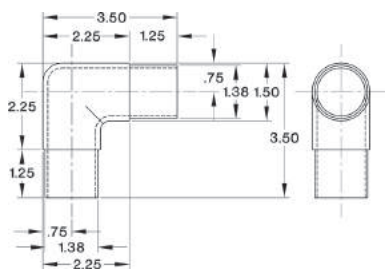


**2" Polished Brass
Curved Flush Elbow Fitting 90 Degree**

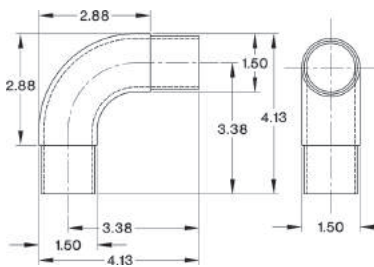


**2" Polished Brass
Ball Elbow Fitting 90 Degree**

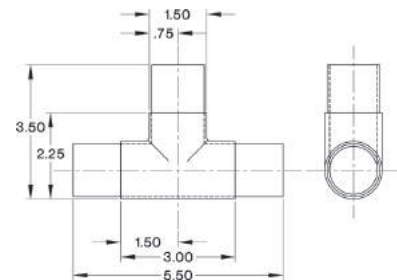
1.5" OD



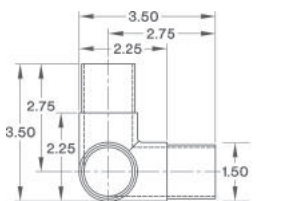
**1.5" Polished Brass
Flush Elbow Fitting 90 Degree**



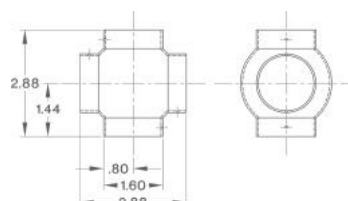
**1.5" Polished Brass
Curved Flush Elbow Fitting 90 Degree**



**1.5" Polished Brass
Flush Tee Handrail Fitting**



**1.5" Polished Brass
Flush Side Outlet Handrail Elbow Fitting**



**1.5" Polished Brass
Flush Cross Fitting**

POLISHED BRASS BAR RAIL

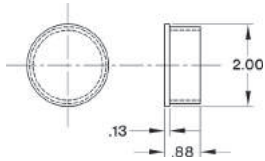
TECHNICAL SPECIFICATIONS

KEGWORKS
Tools for Drinking

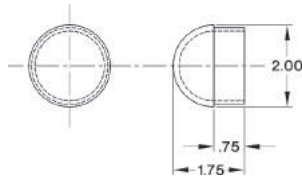
When installing your bar rail, it's important to build with precision. These technical drawings will provide you with accurate measurements, but please call one of our sales representatives if you have any questions about measurements or installation.

END CAPS & FLANGES

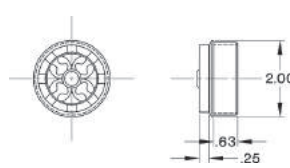
2" OD



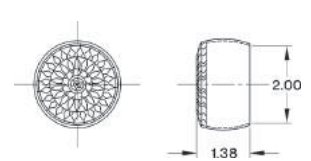
**2" Polished Brass
Flushed Flat End Cap**



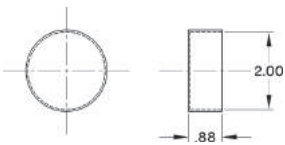
**2" Polished Brass
Domed End Cap**



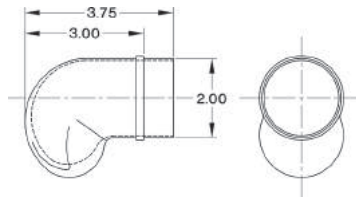
**2" Polished Brass
Flush Decorative End Cap**



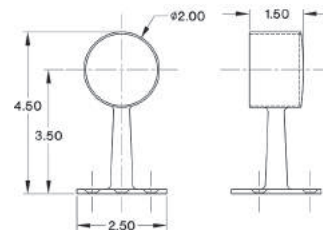
**2" Polished Brass
Decorative External End Cap**



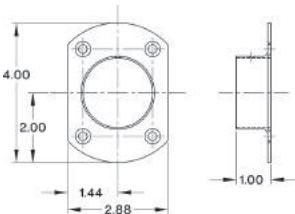
**2" Polished Brass
External Flat End Cap**



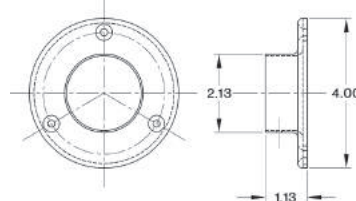
**2" Polished Brass
Scroll End Cap**



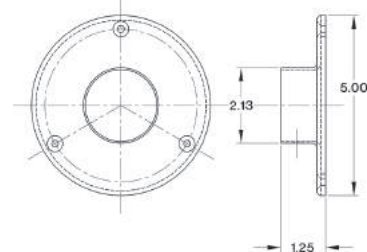
**2" Polished Brass
Center Post End Cap**



**Polished Brass
Cut Wall Flange (2" OD)**

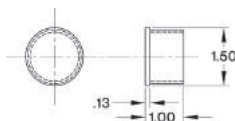


**Polished Brass
4" Wall Flange (2" OD)**

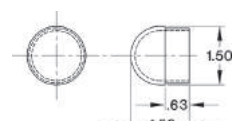


**Polished Brass
5" Heavy Duty Floor & Ceiling Flange (2" OD)**

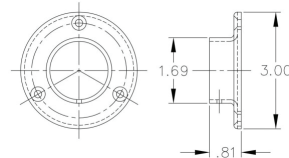
1.5" OD



**1.5" Polished Brass
Flushed Flat End Cap**



**1.5" Polished Brass
Domed End Cap**



**Polished Brass
3" Wall Flange (1.5" OD)**