



38" WIDE COUNTERTOP WARMER - PASS-THROUGH -
TWO SLANTED SHELVES

Model 2 TSM-3824



2TSM-6224 model shown

The BKI® 2TSM-3824 countertop warmer features a passthrough design, two slanted shelves, and a ceramic infrared top heat combined with base bottom heat to keep food fresh and hot for extended times.

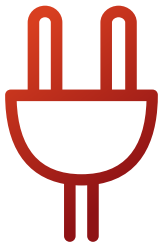
With the individual thermostatic controls for top and bottom heat, you can dial in the perfect holding temperatures for sandwiches and other grab-n-go hot food items. The controls may be positioned on either the left or right side of the warmer. (Please specify when ordering.)

The pass-through design allows for the kitchen to load fresh food easily from the back while customers can pull from the front of the warmer.

The BKI SM series of warmers comes in a range of widths and tiers with both slanted and horizontal shelf options to meet your particular needs.

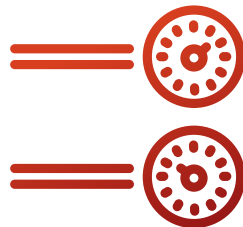
FEATURES AT A GLANCE

- 38" wide
- Top ceramic infrared heating element
- Stainless steel construction
- Pass-through for easy loading of product
- Two slanted shelves
- Illuminated chamber
- Assembled in USA
- Individual thermostatic control for top and bottom heat



ELECTRIC OPERATION

Energy efficiency and easy installation are a perfect pairing for your food service operation.



INDIVIDUAL TEMP. CONTROL

Individual thermostatic controls for top and bottom heat.



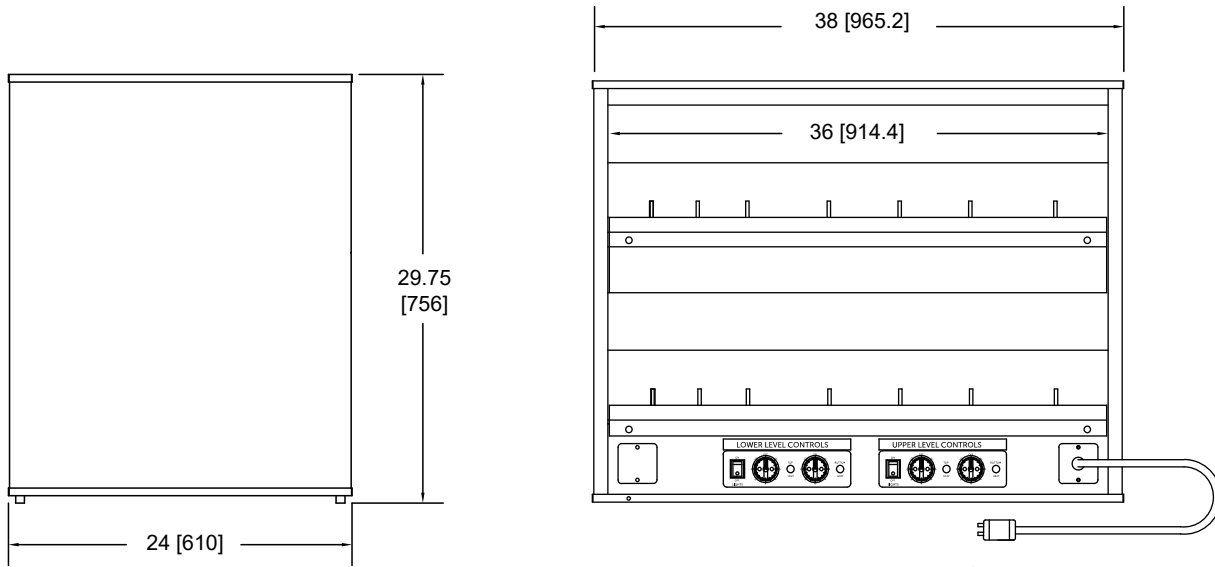
www.bkideas.com

42 Allen Martin Drive, Essex Junction, VT 05452 • Phone: (802) 658-6600 • Fax: (802) 864-0183

BK1286 Rev A (1/21)

EQUIPMENT DIMENSIONS

DIMENSIONS ARE IN INCHES [MM]



MECHANICAL SPECIFICATIONS

| Dimensions | Uncrated |
|------------------|------------------------|
| Height | 29.75" (756 mm) |
| Width | 38" (965 mm) |
| Depth | 24" (610 mm) |
| Chute ID | 36" (914 mm) |
| Countertop Space | 6.33 sq ft (0.59 sq m) |
| Weight | 190 lb (86 kg) |

ELECTRICAL OPTIONS

| Volts | Amps | Breaker | kW | Wires | Phase |
|-------|------|---------|------|-------|-------|
| 120 | 9.18 | 20 | 1.09 | 3 | 1 |

OPTIONS

- Direct sealed counter mount or 4" table legs
- Right or Left side mounted control panel
- Slot dividers



Visit www.bkideas.com to view all accessories available with this model.