

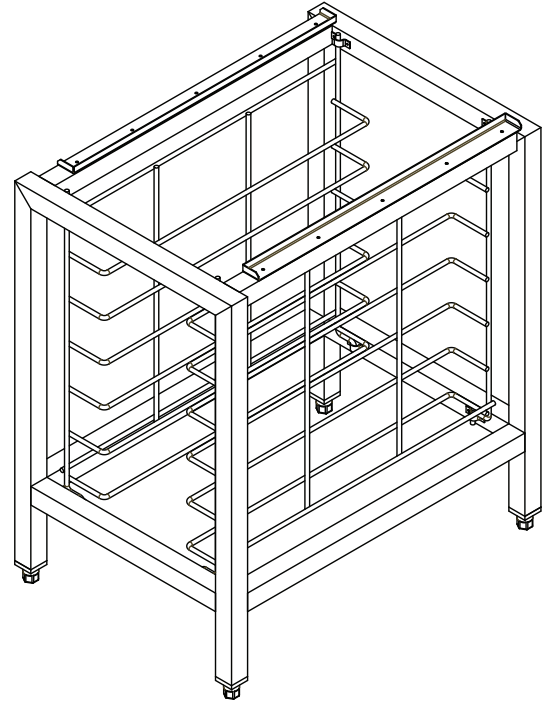


Stand with Rack Guides for use with
CLBKI-6E & CLBKI-10E Ovens

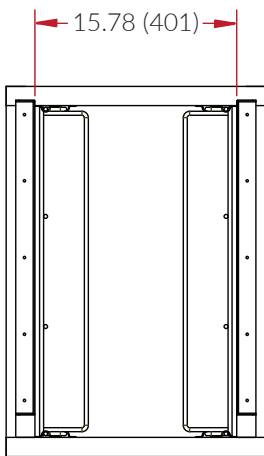
Stand w/Racks

CONSTRUCTION

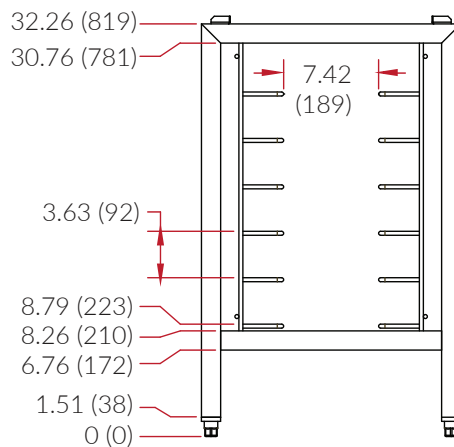
- Stainless steel tubing construction
- Adjustable Feet (1" of adjustment)
not available on casters



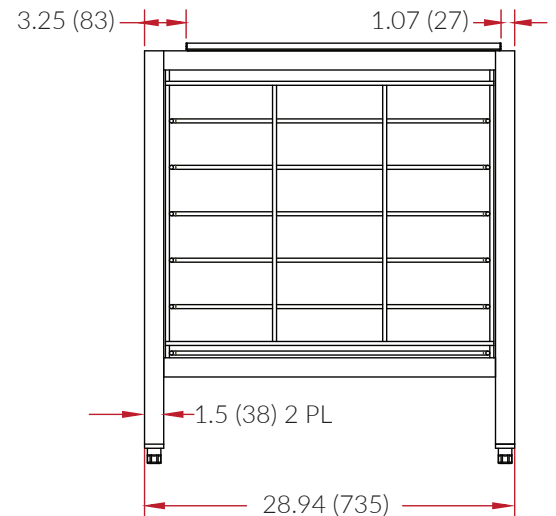
DIMENSIONS ARE IN INCHES [MM]



TOP VIEW



FRONT VIEW



SIDE VIEW