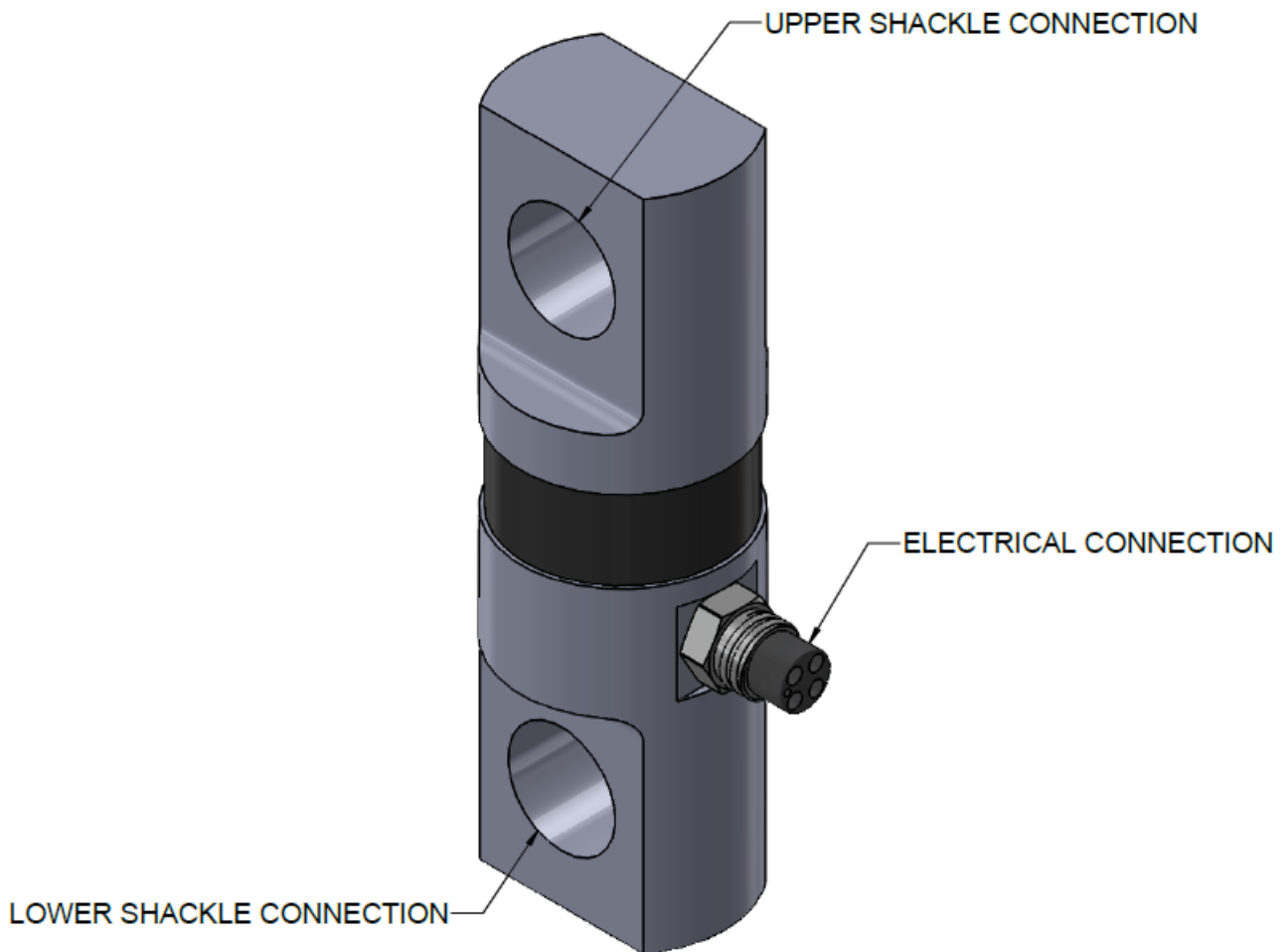




SUBMERSIBLE TENSION LINK LOAD CELLS

Sensing Systems manufactures submersible tension link load cells designed to measure in line tension forces at depths ranging from a few feet underwater all the way to 23,000 feet submerged. Standard designs exist for 1,000 lbf up to 100,000 lbf. For capacities beyond 100,000 lbf, please contact Sensing Systems directly with your request and general requirements. An applications engineer will provide a design specific to your application. Sensing Systems has the capacity to design, manufacture, and test submersible tension link load cells up to 5,000,000 lbf capacity.



APPLICATIONS

- Measure in-line anchor or mooring tension forces
- Monitor submersible equipment attachment forces

**SUBMERSIBLE TENSION LINK LOAD CELLS****Standard Product Specifications**

| | |
|--|--|
| Full Scale Capacity (FS) | 1,000 to 100,000+ lbf |
| Material ¹ | 17-4 PH Stainless Steel |
| Nominal Output Signal at Capacity (FS) | 2.0 mV/V |
| Optional Amplified Output ² | 0 to 5 VDC, 0 to 10 VDC, 4 to 20 mA |
| Combined Error | ≤ 0.25% of FS |
| Zero Balance Signal | ≤ 1.00% of FS |
| Input & Output Resistance ³ | 350 Ω Nominal |
| Excitation Voltage | 2 to 24 V |
| Insulation to Ground | > 5 GΩ |
| Safe Overload | 150% of FS |
| Ultimate Overload | 300% of FS |
| Operating Depth | Customer Specified |
| Sensor Material | 17-4 Stainless Steel |
| Electrical Connection ⁴ | MCBH-4F Bulkhead Wet Mate Connector |
| Calibration | NIST Traceable per ASTM E4, Certificate Provided |

¹ Titanium, Aluminum, and others available

² Requires additional internal or external signal conditioning amplifier

³ Options ranging from 120 Ω to 10,000 Ω available

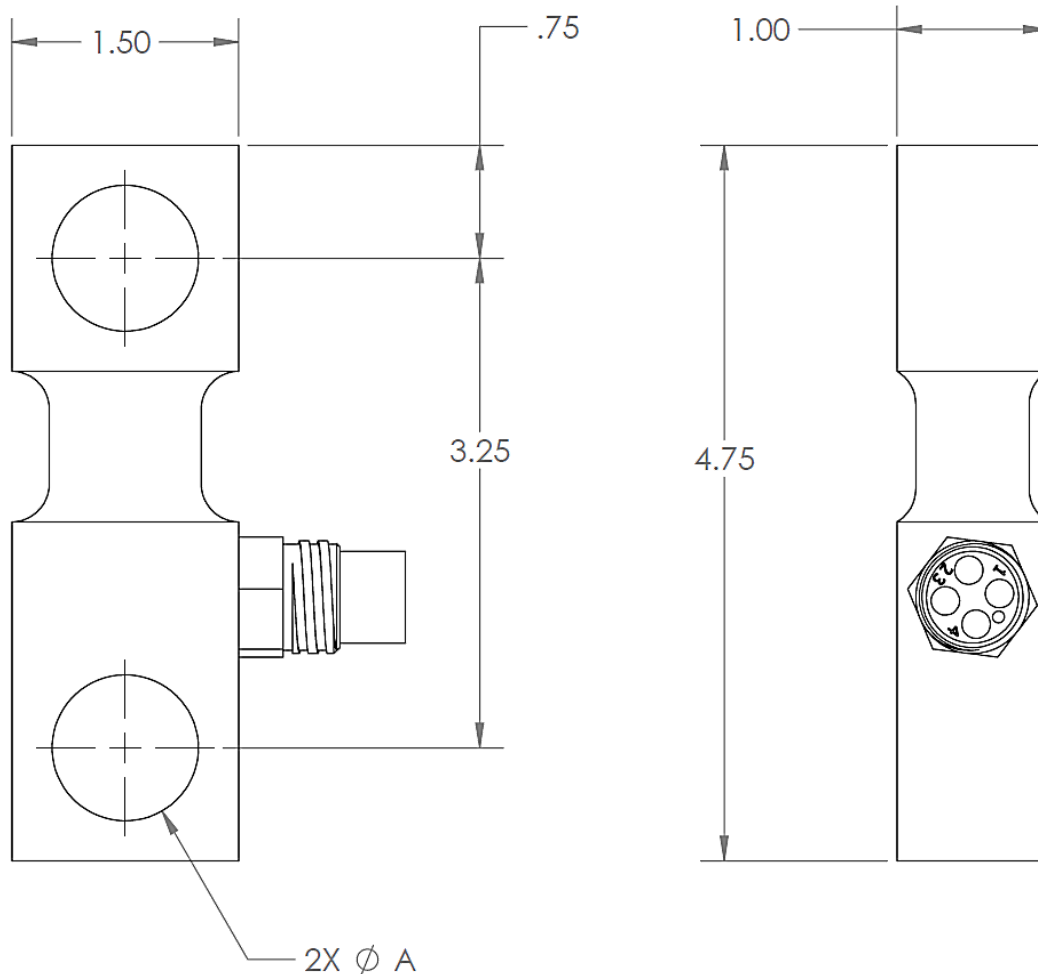
⁴ Optional custom connector or integral cable available

Sensing Systems manufactures all submersible load cells to order and can customize almost all aspects of the product to meet the exact requirements of a specific application. If you are interested in discussing your application with an applications engineer, please contact us directly at info@sensing-systems.com or (508) 992-0872.



SUBMERSIBLE TENSION LINK LOAD CELLS

Standard Product Outline Geometry - 1,000 lbf to 5,000 lbf



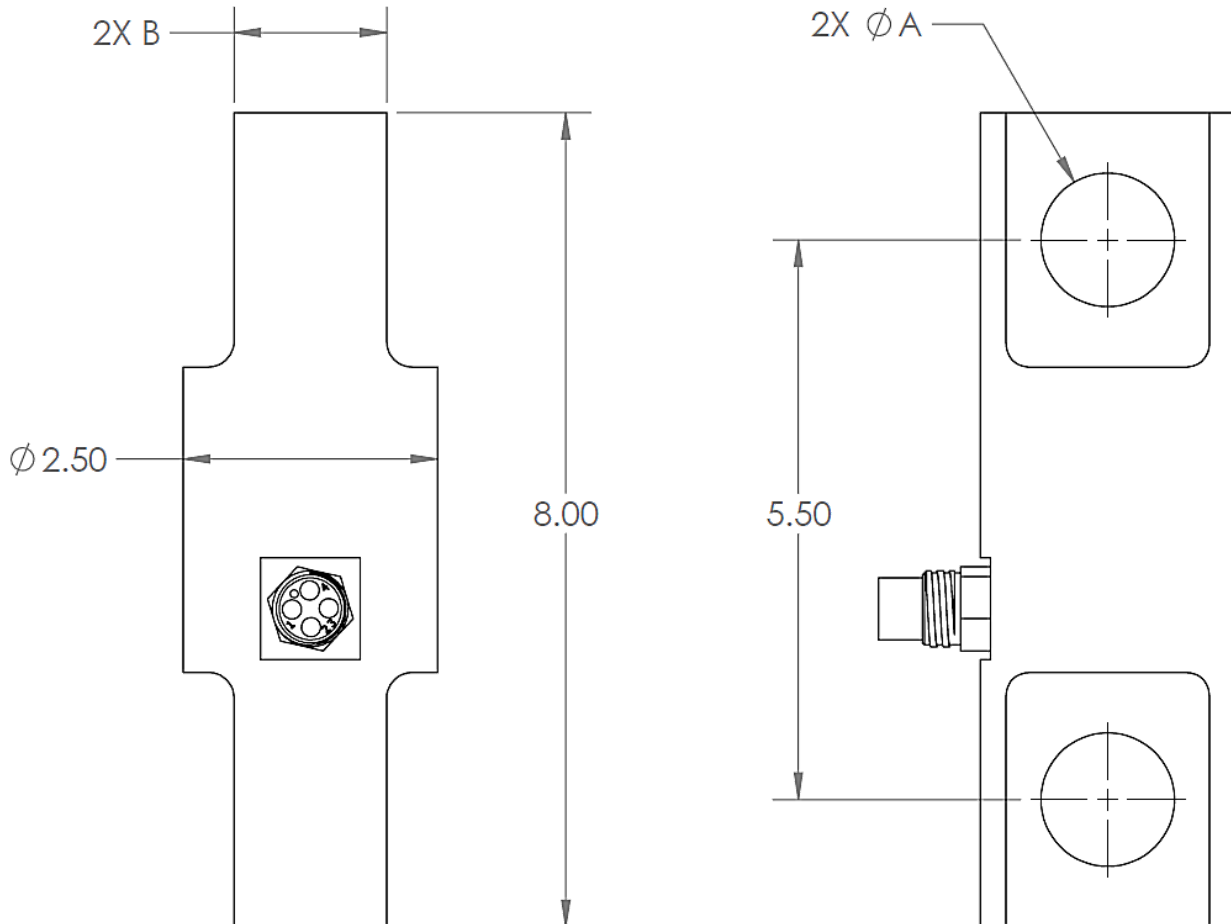
| Capacity (FS) | Shackle Pin Diameter (Nominal) | Diameter "A" |
|---------------|--------------------------------|--------------|
| 1,000 lbf | 15/32" | 0.550" |
| 2,000 lbf | 1/2" | 0.580" |
| 3,000 lbf | 21/32" | 0.735" |
| 5,000 lbf | 29/32" | 0.985" |

Note: The load cell is not designed to undergo torsional loads. It is the responsibility of the user to supply a suitable swivel or other device in series with the load cell if torsional loads will occur.



SUBMERSIBLE TENSION LINK LOAD CELLS

Standard Product Outline Geometry - 10,000 lbf to 20,000 lbf



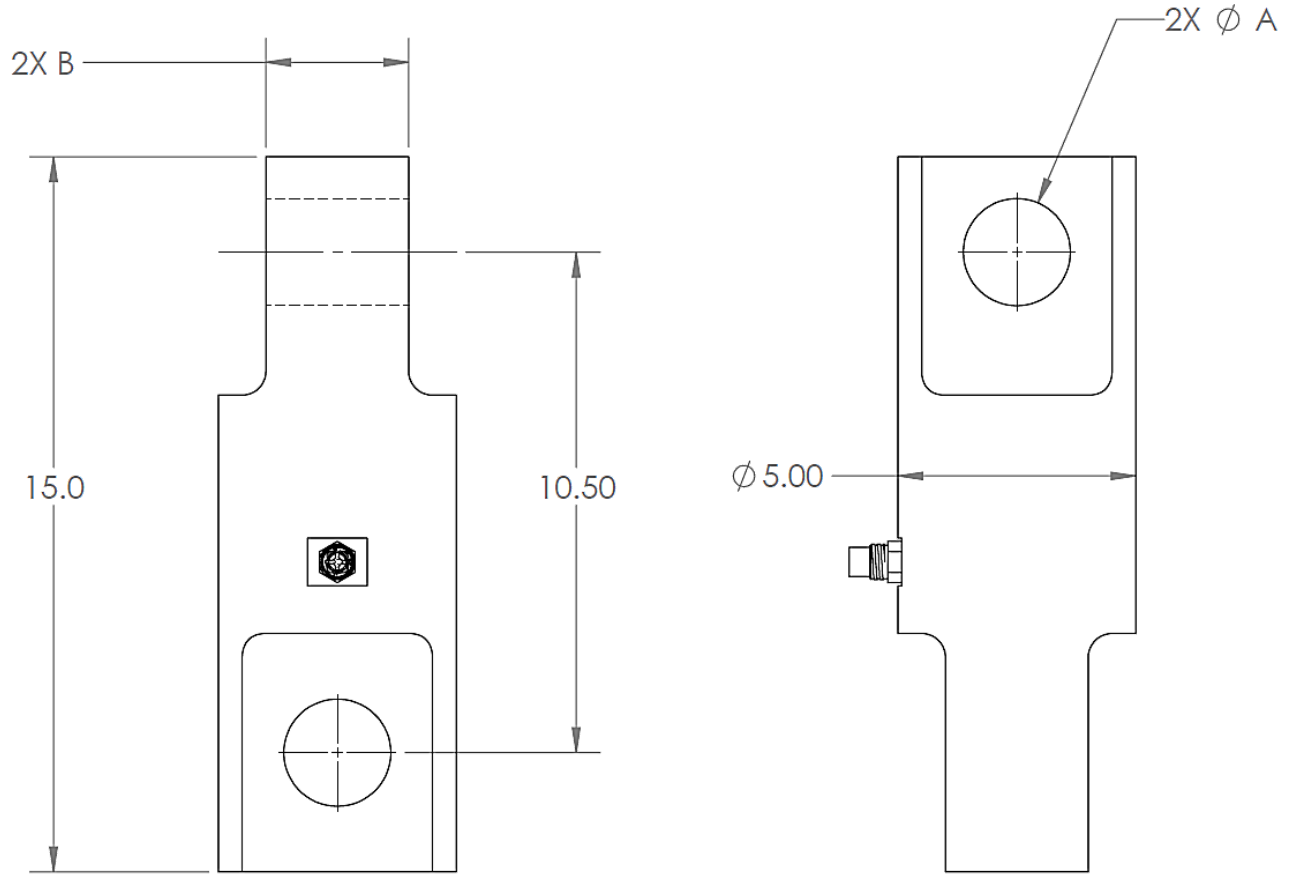
| Capacity (FS) | Shackle Pin Diameter (Nominal) | Diameter "A" | Width "B" |
|---------------|--------------------------------|--------------|-----------|
| 10,000 lbf | 15/16" | 1.00" | 1.00" |
| 20,000 lbf | 1-1/8" | 1.31" | 1.75" |

Note: The load cell is not designed to undergo torsional loads. It is the responsibility of the user to supply a suitable swivel or other device in series with the load cell if torsional loads will occur.



SUBMERSIBLE TENSION LINK LOAD CELLS

Standard Product Outline Geometry - 50,000 lbf to 100,000 lbf



| Capacity (FS) | Shackle Pin Diameter (Nominal) | Diameter "A" | Width "B" |
|---------------|--------------------------------|--------------|-----------|
| 50,000 lbf | 1-5/8" | 1.75" | 2.75" |
| 75,000 lbf | 2-1/8" | 2.25" | 3.00" |
| 100,000 lbf | 2-1/4" | 2.38" | 3.50" |

Note: The load cell is not designed to undergo torsional loads. It is the responsibility of the user to supply a suitable swivel or other device in series with the load cell if torsional loads will occur.