



SEMI-AUTOMATIC STRAPPING MACHINE M-PAC 4  
THE INTRODUCTION INTO LOW-PRICED TRANSPORT SECURING



# Semi-Automatic Strapping Machine M-PAC 4

**The strap is manually positioned by an operator. The machine tensions and seals automatically.**

Semi-automatic machines such as the M-Pac 4 are the ideal solution for strapping cartons or bundling products with PP strap in the widths of 5 mm up to 12 mm. The advantage of this space saving semi-automatic machine is, that it can be moved due to the castors.

► **Precise tension force.**

The tension force can be externally adjusted according to requirements.

► **No time wasted.**

Immediately ready for operation. 30 – 45 seconds heating up time. Thread the strap and the first package can be strapped.

► **Energy saving.**

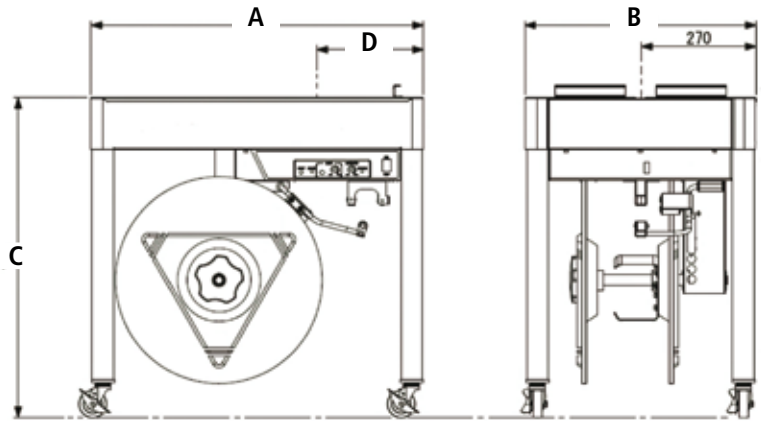
The motor only runs when there is work to be done.

► **Strap width change made easy.**

Strap widths from 5.0 mm to 12.0 mm as required. The open design makes coil change extremely easy.

► **Mobile.**

The machine can be operated anywhere where there's an AC outlet. It is easy to move due to castors.



Dimensions (mm)

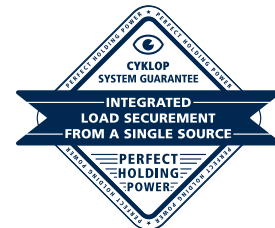
A	B	C	D
780	543	750-900	250

**Technical Data:**

Package dimension: Min. width 100 mm, min. height 30 mm  
Strapping material: Polystrap, 5 - 12 mm  
Coil dimensions: 200 x 420 x 190 mm (inside/outside/width)  
Seal: Heat sealing  
Strap tension: Max. 392 N  
Heating-up time: Approx. 30 – 45 secs  
Noise level: Max. 67 dB(A)  
Machine weight: Approx. 45 kg  
Machine colour: RAL 5003

**Energy:**

Operation voltage: 230 V, 1-ph, 50 Hz  
Power: 0.25 kVA



Subject to Modification. © Cyklop GmbH, Cologne, Protectory notice pursuant to ISO 16016 to be observed. 09/2013

WWW.CYKLOP.COM

DIRECT CONTACT: +49 (0) 2236 602 0

CYKLOP GmbH  
Industriestraße 133  
50996 Cologne  
Germany  
info@cyklop.de

**CYKLOP**  
INTERNATIONAL

THE  
STRAPPING  
COMPANY

100 YEARS  
1912/2012