

Q-LINK STAND-ALONE VFD 3Ø, 208-230V, 0.5-10HP 3Ø, 380-480V, 1-20HP

EASIER & MORE RELIABLE

The Q-link is a revolutionary new connected drive. Control and support via a smartphone provides a simple, intuitive user experience that greatly enhances and expedites setup and support.

FEATURES

- Simple and intuitive display
- Designated HOA buttons
- Native communications (BACnet & Modbus)
- R3 Filtering for harmonic mitigation
- Built in damper control
- Compact UL Type 1 frame
- IP20 with cover removed
- Meets latest harmonized UL standard

Q-LINK COMPANION APP

- Guided start-up
- In-App troubleshooting solutions
- Sequential App support
- Pre-Call reporting
- Over-the-air firmware updates
- Remote programming
- Commissioning report generation

ORDERING & SIZING INFORMATION - UL TYPE 1

PART NUMBER	UL HP RATINGS			FLA
	208VAC	230VAC	380-480VAC	
QLNK-003-DV	0.5	0.5	1	3
QLNK-005-DV	1	1	3	5
QLNK-009-DV	2	2	5	9
QLNK-012-DV	3	3	7.5	12
QLNK-017-DV	5	5	10	17
QLNK-024-DV	7.5	7.5	15	24
QLNK-028-DV	-	10	20	28



Download the Companion App



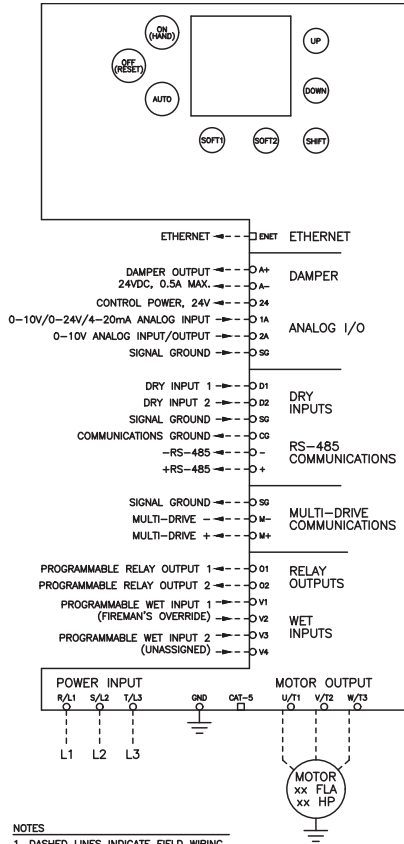
Q-LINK SPECIFICATIONS TABLE

Specifications

Input ratings	Voltage (V)	Three phase, 200–480V (-10%, +15%)
	Frequency (Hz)	50–60Hz (±5%)
	Efficiency	>=98%, Full Load
	Input Power Factor	>.9 from no load to full load
Output ratings	HP	0.5–10HP (200–230V), 1–20HP (380–480V)
	Voltage (V)	0–100% of Supply
	Frequency (Hz)	0–400Hz
Control	Control method	V/F Scalar and Sensorless Space Vector Pulse Width Modulation, slip compensation
	Carrier Frequency	2kHz - 10kHz, 0.1kHz resolution, Default 2.5kHz
	Output Frequency Resolution	0.01Hz
	Frequency setting accuracy	Digital: 0.01 % of Max. Output Frequency Analog: 0.1 % of Max. Output Frequency
	V/F ratio	Linear, Square Pattern
Operation	Overload Capacity	110% for 60s @ 40°C, 83% for 30 @ 50°C
	Operator Method	OLED display and keypad, HOA buttons, Terminals, Bluetooth® mobile app, Communications
	Programming Method	OLED display and keypad, Bluetooth mobile app, Communications
	PID	Standard, 2 Loop
	Communications Interface	Physical (Ethernet, RS-485, Bluetooth) Protocols (Native BACnet MS/TP, BACnet IP, Modbus TCP, Modbus RTU)*
	Logging	Faults/Alarms/Parameter Changes - w/ Real Time & Date)
	Indication	3 LEDs: Hand, Off, Auto
	Operation Functions	Frequency Limit, Frequency Jump, Reverse Rotation Prevention, Auto Restart, Flying Start, Damper Control, Sleep/Wake Modes, Motor Pre-Heat, Power-loss Ride Through, Torque Boost, Stall Prevention, Multi-Motor Control up to 4 motors, Energy Optimization (reducing voltage)
Dry Inputs	Count	2 configurable (NO or NC)
	Programmable Inputs	Run/Shutdown / Permissive / Fireman's Override / Limit Switch / Speed A / Speed B / None - SW configurable (Default N.O.)
	Logic	PNP or NPN
	Voltage Level	24 VDC, 8mA Max
Wet Inputs	Count	2 configurable
	Programmable Inputs	Run/Shutdown / Permissive / Fireman's Override / Limit Switch / Speed A / Speed B / None - SW configurable (Default N.O.)
	Voltage Level	12–240 ± 10%V, 8mA Max
Analog	Count	2 selectable via DIP switch (A1 - configurable 0–10V/4–20mA, 2A - 0–10V configurable as input or output)
	Mode	Voltage or Current
	Level	0–10VDC or 4–20mA
Damper Output	Count	1 damper actuator output
	Control Power	24VDC, 1Amp Max
Relay Outputs	Count	2 Relay Outputs
	Programmable	Status, Run, Fault, SW Configurable
	Control Power	240VAC, 1Amp Max
Protection	Functions	OV/UV (Line or DC Bus), Inverter Over Current, Inverter Overheat, Input Phase Loss, Output Phase Open, Ground Fault, Locked Rotor / Stall, Under Power, Over Power, Inverter Short Circuit Protection, Temperature Sensor Fault, Communication Loss, Loss of Analog Signal, Hardware Fault, Broken Belt, Dry Well, Dead Head, Torque Monitoring & Protection, No Motor, Overpressure, Max time to start, Bypass contactor
	Short Circuit Rating	100 kAIC fused protected
Environmental	Ambient Temperature	-10 to 50°C
	Storage Temperature	-20 to 65°C
	Location	Pollution Degree 2 Environment
	Altitude	Max 1000m above sea level. De-rate 1% per 100m from 1000–2000m and 2% per 100m from 2000–3000m. Consult factory for installations above 3000m.
	Relative Humidity	95% Relative Humidity (non-condensing)
Certifications	Agency Approvals	UL, cUL
	Vibration	OSHPD, IBC 2009
	Enclosure Rating	UL Type 1 (IP21), Plenum-rated (Available packaged as UL Type 12/IP54, UL Type 3R/IP54, UL Type 4X/IP66)
	Keypad Rating	UL Type 1 (IP21)
	Harmonic Distortion	R3Filtering ≤ 35% to address IEEE519 and EN50160
	EMC	EN 61800-3 (Radiated and Conducted Emissions) CE Electromagnetic compatibility 2004/108/EEC, Low-voltage directive 2006/95/EEC

Q-LINK VFD SCHEMATIC AND DIMENSIONS

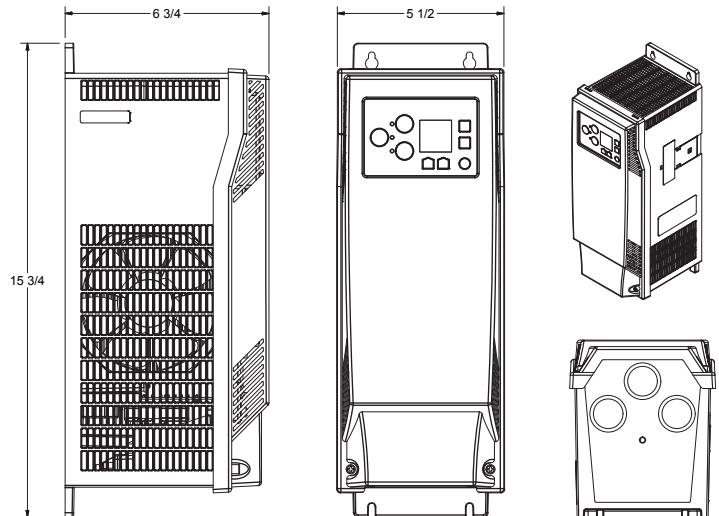
WIRING DIAGRAM



NOTES
1. DASHED LINES INDICATE FIELD WIRING

Q-LINK DIMENSIONS

Q-Link VFD	W x H x D
QLNK-003-DV	5.5" x 15.75" x 6.75"
QLNK-005-DV	
QLNK-009-DV	
QLNK-012-DV	
QLNK-017-DV	
QLNK-024-DV	
QLNK-028-DV	



Q-LINK SMART BYPASS 3Ø, 208-230V, 0.5-10HP 3Ø, 380-480V, 1-20HP

SMARTER & MORE VERSATILE THAN EVER

The Q-Link Smart Bypass is a simple, integrated bypass solution for critical applications without compromise for communications and motor protection. Unlike traditional bypasses, the Q-Link Smart Bypass seamlessly maintains BACnet or Modbus communications as well as advanced motor protection when in bypass mode.

- Smartstart® protection features
- Single user interface
- Pass-through I/O
- Industry leading compact design
- Native BACnet/Modbus in bypass mode

ORDERING & SIZING INFORMATION - UL TYPE 1

PART NUMBER	UL HP RATINGS			FLA
	208VAC	230VAC	380-480VAC	
QLNK1-BYP003-DV	0.5	0.5	1	3
QLNK1-BYP005-DV	1	1	3	5
QLNK1-BYP009-DV	2	2	5	9
QLNK1-BYP012-DV	3	3	7.5	12
QLNK1-BYP017-DV	5	5	10	17
QLNK1-BYP024-DV	7.5	7.5	15	24
QLNK1-BYP028-DV	-	10	20	28



Download the Companion App



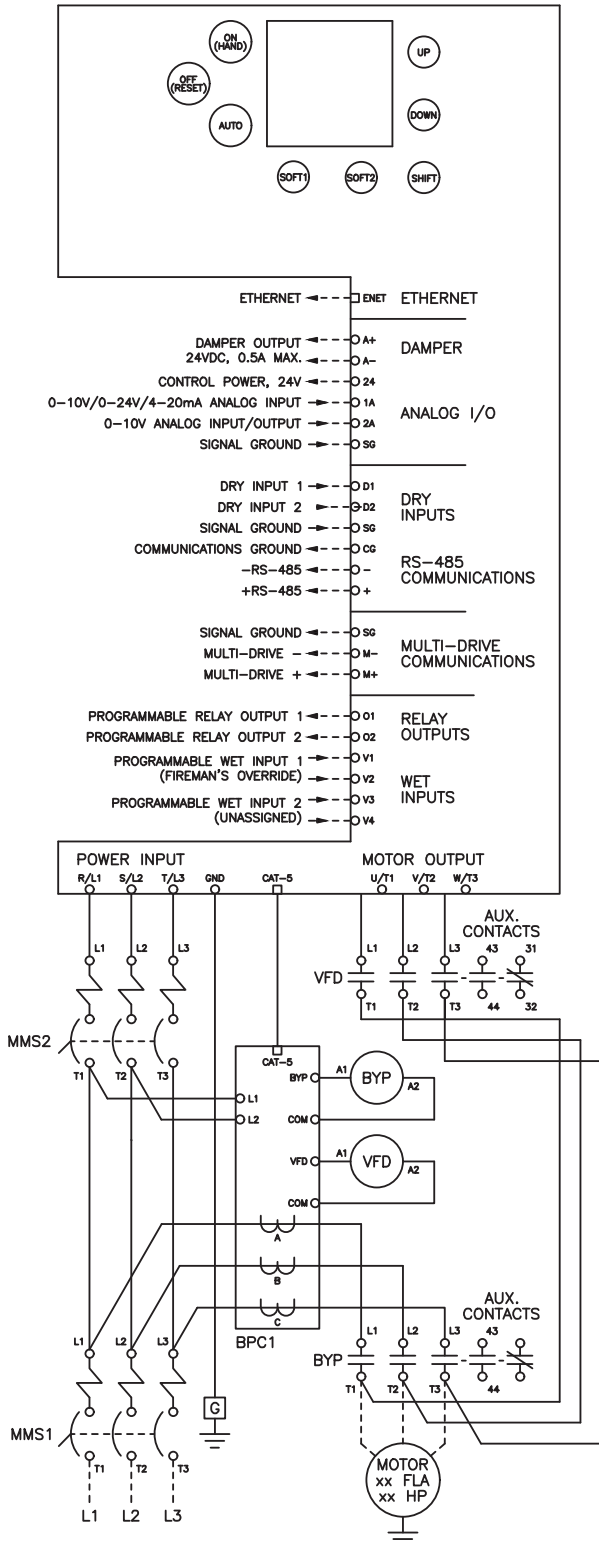
Q-LINK SPECIFICATIONS TABLE

Specifications

Input ratings	Voltage (V)	Three phase, 200–480V (-10%, +15%)
	Frequency (Hz)	50–60Hz (±5%)
	Efficiency	>=98%, Full Load
	Input Power Factor	>.9 from no load to full load
Output ratings	HP	0.5–10HP (200–230V), 1–20HP (380–480V)
	Voltage (V)	0–100% of Supply
	Frequency (Hz)	0–400Hz
Control	Control method	V/F Scalar and Sensorless Space Vector Pulse Width Modulation, slip compensation
	Carrier Frequency	2kHz - 10kHz, 0.1kHz resolution, Default 2.5kHz
	Output Frequency Resolution	0.01Hz
	Frequency setting accuracy	Digital: 0.01 % of Max. Output Frequency Analog: 0.1 % of Max. Output Frequency
	V/F ratio	Linear, Square Pattern
Operation	Overload Capacity	110% for 60s @ 40°C, 83% for 30 @ 50°C
	Operator Method	OLED display and keypad, HOA buttons, Terminals, Bluetooth® mobile app, Communications
	Programming Method	OLED display and keypad, Bluetooth mobile app, Communications
	PID	Standard, 2 Loop
	Communications Interface	Physical (Ethernet, RS-485, Bluetooth) Protocols (Native BACnet MS/TP, BACnet IP, Modbus TCP, Modbus RTU)*
	Logging	Faults/Alarms/Parameter Changes - w/ Real Time & Date)
	Indication	3 LEDs: Hand, Off, Auto
	Operation Functions	Frequency Limit, Frequency Jump, Reverse Rotation Prevention, Auto Restart, Flying Start, Damper Control, Sleep/Wake Modes, Motor Pre-Heat, Power-loss Ride Through, Torque Boost, Stall Prevention, Multi-Motor Control up to 4 motors, Energy Optimization (reducing voltage)
Dry Inputs	Count	2 configurable (NO or NC)
	Programmable Inputs	Run/Shutdown / Permissive / Fireman's Override / Limit Switch / Speed A / Speed B / None - SW configurable (Default N.O.)
	Logic	PNP or NPN
	Voltage Level	24 VDC, 8mA Max
Wet Inputs	Count	2 configurable
	Programmable Inputs	Run/Shutdown / Permissive / Fireman's Override / Limit Switch / Speed A / Speed B / None - SW configurable (Default N.O.)
	Voltage Level	12–240 ± 10%V, 8mA Max
Analog	Count	2 selectable via DIP switch (A1 - configurable 0–10V/4–20mA, 2A - 0–10V configurable as input or output)
	Mode	Voltage or Current
	Level	0–10VDC or 4–20mA
Damper Output	Count	1 damper actuator output
	Control Power	24VDC, 1Amp Max
Relay Outputs	Count	2 Relay Outputs
	Programmable	Status, Run, Fault, SW Configurable
	Control Power	240VAC, 1Amp Max
Protection	Functions	OV/UV (Line or DC Bus), Inverter Over Current, Inverter Overheat, Input Phase Loss, Output Phase Open, Ground Fault, Locked Rotor / Stall, Under Power, Over Power, Inverter Short Circuit Protection, Temperature Sensor Fault, Communication Loss, Loss of Analog Signal, Hardware Fault, Broken Belt, Dry Well, Dead Head, Torque Monitoring & Protection, No Motor, Overpressure, Max time to start, Bypass contactor
	Short Circuit Rating	100 kAIC fused protected
Environmental	Ambient Temperature	-10 to 50°C
	Storage Temperature	-20 to 65°C
	Location	Pollution Degree 2 Environment
	Altitude	Max 1000m above sea level. De-rate 1% per 100m from 1000–2000m and 2% per 100m from 2000–3000m. Consult factory for installations above 3000m.
	Relative Humidity	95% Relative Humidity (non-condensing)
Certifications	Agency Approvals	UL, cUL
	Vibration	OSHPD, IBC 2009
	Enclosure Rating	UL Type 1 (IP21), Plenum-rated (Available packaged as UL Type 12/IP54, UL Type 3R/IP54, UL Type 4X/IP66)
	Keypad Rating	UL Type 1 (IP21)
	Harmonic Distortion	R3Filtering ≤ 35% to address IEEE519 and EN50160
	EMC	EN 61800-3 (Radiated and Conducted Emissions) CE Electromagnetic compatibility 2004/108/EEC, Low-voltage directive 2006/95/EEC

Q-LINK SMART BYPASS SCHEMATICS

WIRING DIAGRAM



NOTES

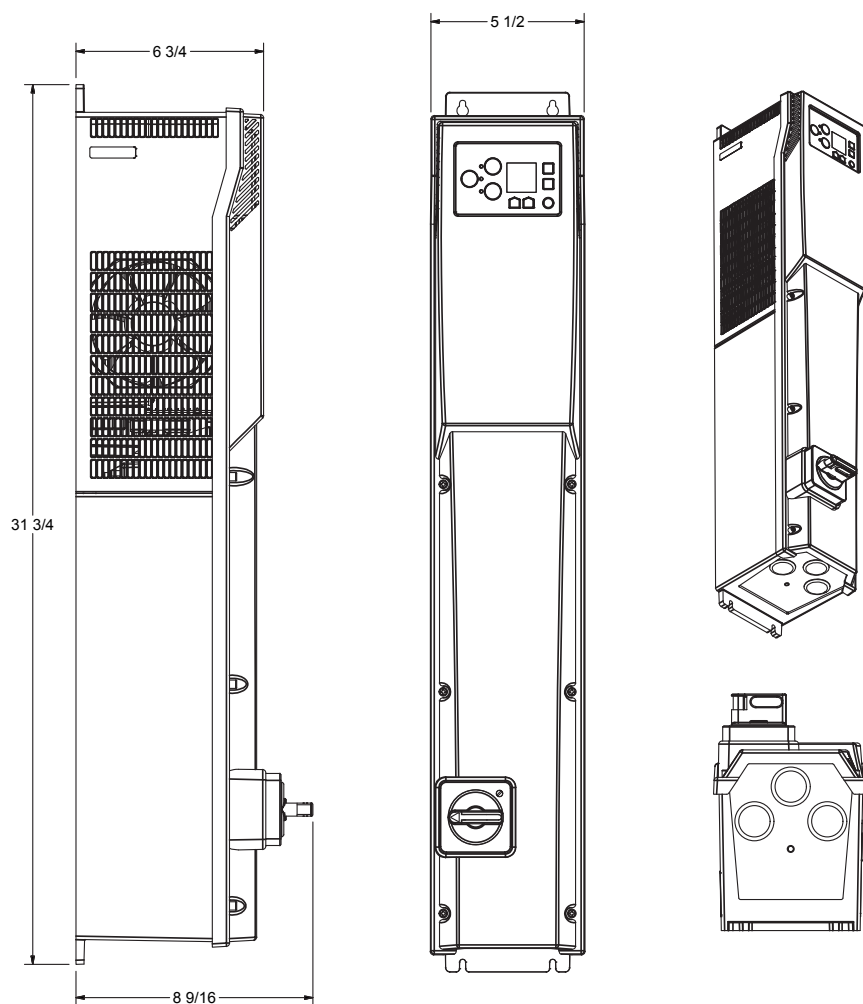
1. DASHED LINES INDICATE FIELD WIRING

SCHM-DSC/BYP REV'

Q-LINK SMART BYPASS DIMENSIONS

Q-LINK BYPASS DIMENSIONS

Q-LINK VFD	W x H x D
QLNK1-BYP003-DV	5.5" x 31.75" x 6.75"
QLNK1-BYP005-DV	
QLNK1-BYP009-DV	
QLNK1-BYP012-DV	
QLNK1-BYP017-DV	
QLNK1-BYP024-DV	
QLNK1-BYP028-DV	



DRIVE WITH DISCONNECT 3Ø, 208–230V, 0.5–10HP 3Ø, 380–480V, 1–20HP

SMARTER & MORE VERSATILE THAN EVER

The same revolutionary connected drive with added MMS disconnect protection. Control and support via a smartphone provides a simple, intuitive user experience that greatly enhances and expedites setup and support.

- Simple and intuitive display
- Designated HOA buttons
- Native communications (BACnet & Modbus)
- R3 Filtering for harmonic mitigation
- Built in damper control
- Compact UL Type 1 frame
- IP20 with cover removed
- Meets latest harmonized UL standard

ORDERING & SIZING INFORMATION - UL TYPE 1

PART NUMBER	UL HP RATINGS			FLA
	208VAC	230VAC	380–480VAC	
QLNK1-DISCO03-DV	0.5	0.5	1	3
QLNK1-DISCO05-DV	1	1	3	5
QLNK1-DISCO09-DV	2	2	5	9
QLNK1-DISCO12-DV	3	3	7.5	12
QLNK1-DISCO17-DV	5	5	10	17
QLNK1-DISCO24-DV	7.5	7.5	15	24
QLNK1-DISCO28-DV	–	10	20	28



Download the Companion App



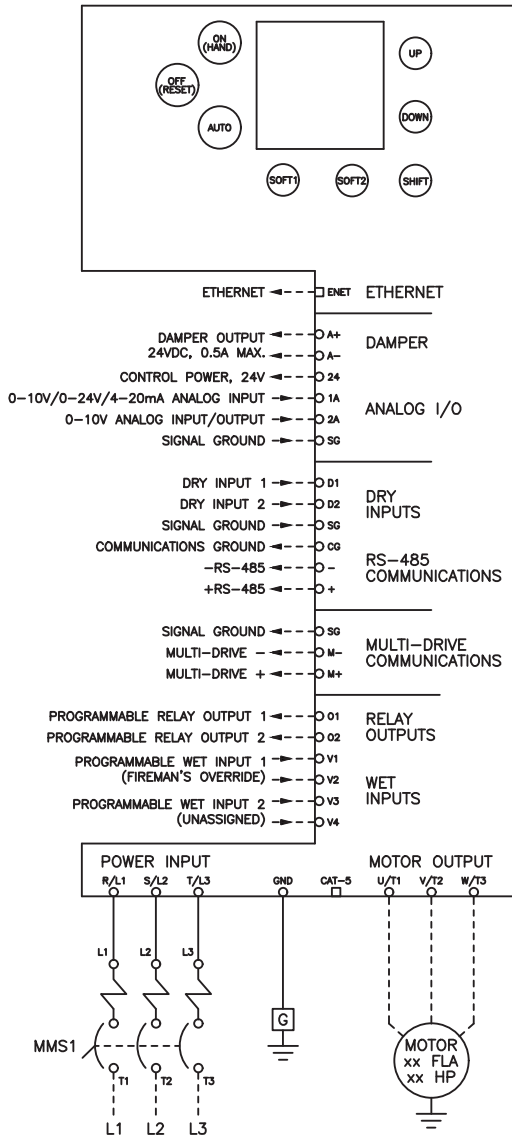
Q-LINK SPECIFICATIONS TABLE

Specifications

Input ratings	Voltage (V)	Three phase, 200–480V (-10%, +15%)
	Frequency (Hz)	50–60Hz (±5%)
	Efficiency	>=98%, Full Load
	Input Power Factor	>.9 from no load to full load
Output ratings	HP	0.5–10HP (200–230V), 1–20HP (380–480V)
	Voltage (V)	0–100% of Supply
	Frequency (Hz)	0–400Hz
Control	Control method	V/F Scalar and Sensorless Space Vector Pulse Width Modulation, slip compensation
	Carrier Frequency	2kHz - 10kHz, 0.1kHz resolution, Default 2.5kHz
	Output Frequency Resolution	0.01Hz
	Frequency setting accuracy	Digital: 0.01 % of Max. Output Frequency Analog: 0.1 % of Max. Output Frequency
	V/F ratio	Linear, Square Pattern
Operation	Overload Capacity	110% for 60s @ 40°C, 83% for 30 @ 50°C
	Operator Method	OLED display and keypad, HOA buttons, Terminals, Bluetooth® mobile app, Communications
	Programming Method	OLED display and keypad, Bluetooth mobile app, Communications
	PID	Standard, 2 Loop
	Communications Interface	Physical (Ethernet, RS-485, Bluetooth) Protocols (Native BACnet MS/TP, BACnet IP, Modbus TCP, Modbus RTU)*
	Logging	Faults/Alarms/Parameter Changes - w/ Real Time & Date)
	Indication	3 LEDs: Hand, Off, Auto
	Operation Functions	Frequency Limit, Frequency Jump, Reverse Rotation Prevention, Auto Restart, Flying Start, Damper Control, Sleep/Wake Modes, Motor Pre-Heat, Power-loss Ride Through, Torque Boost, Stall Prevention, Multi-Motor Control up to 4 motors, Energy Optimization (reducing voltage)
Dry Inputs	Count	2 configurable (NO or NC)
	Programmable Inputs	Run/Shutdown / Permissive / Fireman's Override / Limit Switch / Speed A / Speed B / None - SW configurable (Default N.O.)
	Logic	PNP or NPN
	Voltage Level	24 VDC, 8mA Max
Wet Inputs	Count	2 configurable
	Programmable Inputs	Run/Shutdown / Permissive / Fireman's Override / Limit Switch / Speed A / Speed B / None - SW configurable (Default N.O.)
	Voltage Level	12–240 ± 10%V, 8mA Max
Analog	Count	2 selectable via DIP switch (A1 - configurable 0–10V/4–20mA, 2A - 0–10V configurable as input or output)
	Mode	Voltage or Current
	Level	0–10VDC or 4–20mA
Damper Output	Count	1 damper actuator output
	Control Power	24VDC, 1Amp Max
Relay Outputs	Count	2 Relay Outputs
	Programmable	Status, Run, Fault, SW Configurable
	Control Power	240VAC, 1Amp Max
Protection	Functions	OV/UV (Line or DC Bus), Inverter Over Current, Inverter Overheat, Input Phase Loss, Output Phase Open, Ground Fault, Locked Rotor / Stall, Under Power, Over Power, Inverter Short Circuit Protection, Temperature Sensor Fault, Communication Loss, Loss of Analog Signal, Hardware Fault, Broken Belt, Dry Well, Dead Head, Torque Monitoring & Protection, No Motor, Overpressure, Max time to start, Bypass contactor
	Short Circuit Rating	100 kAIC fused protected
Environmental	Ambient Temperature	-10 to 50°C
	Storage Temperature	-20 to 65°C
	Location	Pollution Degree 2 Environment
	Altitude	Max 1000m above sea level. De-rate 1% per 100m from 1000–2000m and 2% per 100m from 2000–3000m. Consult factory for installations above 3000m.
	Relative Humidity	95% Relative Humidity (non-condensing)
Certifications	Agency Approvals	UL, cUL
	Vibration	OSHPD, IBC 2009
	Enclosure Rating	UL Type 1 (IP21), Plenum-rated (Available packaged as UL Type 12/IP54, UL Type 3R/IP54, UL Type 4X/IP66)
	Keypad Rating	UL Type 1 (IP21)
	Harmonic Distortion	R3Filtering ≤ 35% to address IEEE519 and EN50160
	EMC	EN 61800-3 (Radiated and Conducted Emissions) CE Electromagnetic compatibility 2004/108/EEC, Low-voltage directive 2006/95/EEC

Q-LINK WITH DISCONNECT SCHEMATIC

WIRING DIAGRAM



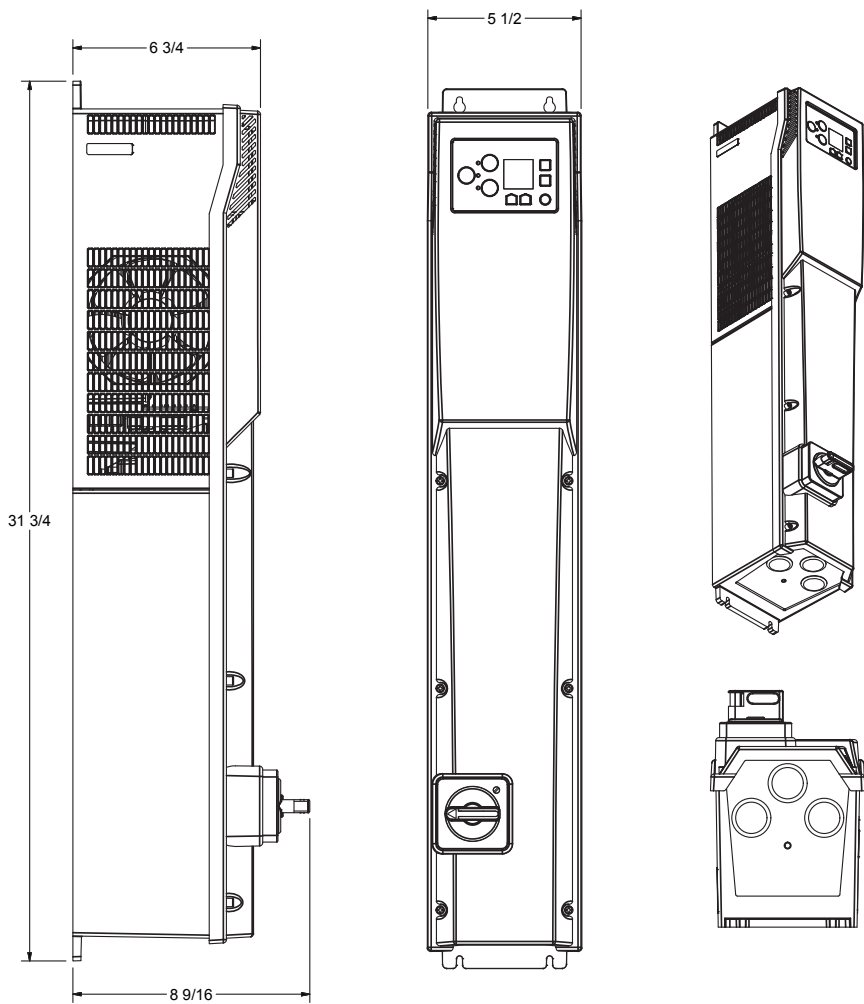
NOTES

1. DASHED LINES INDICATE FIELD WIRING

Q-LINK WITH DISCONNECT SCHEMATIC

Q-LINK W/DISCONNECT DIMENSIONS

Q-LINK VFD	W x H x D
QLNK1-DISCO03-DV	5.5" x 31.75" x 6.75"
QLNK1-DISCO05-DV	
QLNK1-DISCO09-DV	
QLNK1-DISCO12-DV	
QLNK1-DISCO17-DV	
QLNK1-DISCO24-DV	
QLNK1-DISCO28-DV	



Q-LINK HORSEPOWER RATED DRIVE 3Ø, 208-480V, 0.5-10HP

EASIER & MORE RELIABLE

Incorrect voltage is the number one reason for change orders and returns. The HP rated Q-Link has all the features of the Q-Link Stand-Alone, but is rated by HP. For example, the same VFD will work at 5HP, 480V and 5HP 208V, thus eliminating the possibility of incorrect voltage.

FEATURES

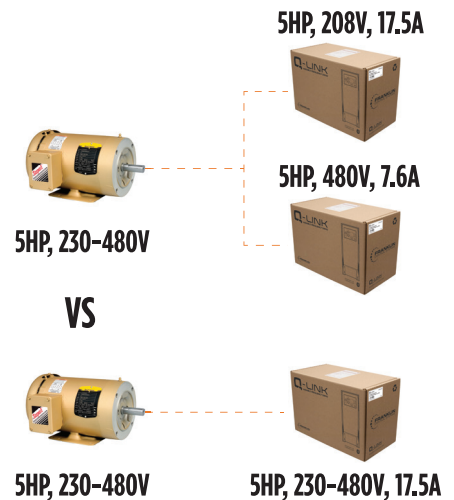
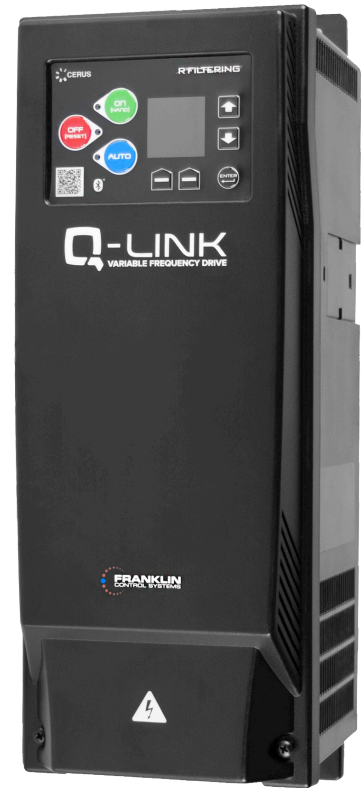
- Simple and intuitive display
- Designated HOA buttons
- Native communications (BACnet & Modbus)
- R3 Filtering for harmonic mitigation
- Built in damper control
- Compact UL Type 1 Frame
- IP20 with Cover Removed
- Meets latest harmonized UL standard

Q-LINK COMPANION APP

- Guided start-up
- In-App troubleshooting solutions
- Sequential App support
- Pre-Call reporting
- Over-the-air firmware updates
- Remote programming
- Commissioning report generation

ORDERING & SIZING INFORMATION - UL TYPE 1

PART NUMBER	UL HP RATINGS	FLA
QLNK1-000-HPR-DV	0.5	3
QLNK1-001-HPR-DV	1	5
QLNK1-002-HPR-DV	2	9
QLNK1-003-HPR-DV	3	12
QLNK1-005-HPR-DV	5	17
QLNK1-007-HPR-DV	7.5	24
QLNK1-010-HPR-DV	10	28



Download the Companion App



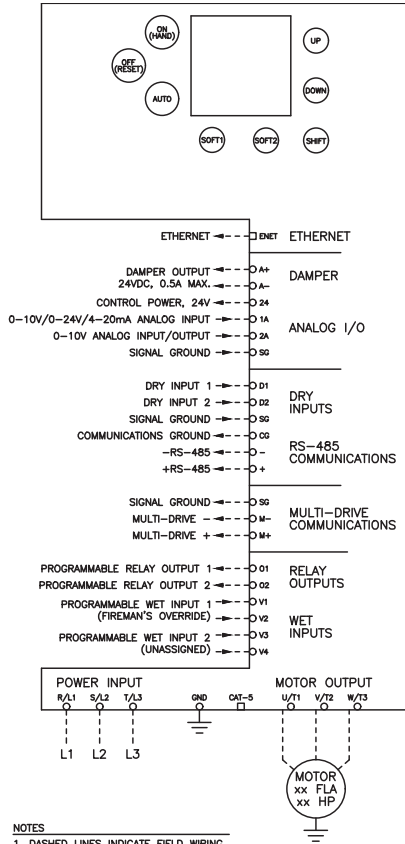
Q-LINK SPECIFICATIONS TABLE

Specifications

Input ratings	Voltage (V)	Three phase, 200–480V (-10%, +15%)
	Frequency (Hz)	50–60Hz (±5%)
	Efficiency	>=98%, Full Load
	Input Power Factor	>.9 from no load to full load
Output ratings	HP	0.5–10HP (200–480V)
	Voltage (V)	0–100% of Supply
	Frequency (Hz)	0–400Hz
Control	Control method	V/F Scalar and Sensorless Space Vector Pulse Width Modulation, slip compensation
	Carrier Frequency	2kHz - 10kHz, 0.1kHz resolution, Default 2.5kHz
	Output Frequency Resolution	0.01Hz
	Frequency setting accuracy	Digital: 0.01 % of Max. Output Frequency Analog: 0.1 % of Max. Output Frequency
	V/F ratio	Linear, Square Pattern
Operation	Overload Capacity	110% for 60s @ 40°C, 83% for 30 @ 50°C
	Operator Method	OLED display and keypad, HOA buttons, Terminals, Bluetooth® mobile app, Communications
	Programming Method	OLED display and keypad, Bluetooth mobile app, Communications
	PID	Standard, 2 Loop
	Communications Interface	Physical (Ethernet, RS-485, Bluetooth) Protocols (Native BACnet MS/TP, BACnet IP, Modbus TCP, Modbus RTU)*
	Logging	Faults/Alarms/Parameter Changes - w/ Real Time & Date)
	Indication	3 LEDs: Hand, Off, Auto
	Operation Functions	Frequency Limit, Frequency Jump, Reverse Rotation Prevention, Auto Restart, Flying Start, Damper Control, Sleep/Wake Modes, Motor Pre-Heat, Power-loss Ride Through, Torque Boost, Stall Prevention, Multi-Motor Control up to 4 motors, Energy Optimization (reducing voltage)
Dry Inputs	Count	2 configurable (NO or NC)
	Programmable Inputs	Run/Shutdown / Permissive / Fireman's Override / Limit Switch / Speed A / Speed B / None - SW configurable (Default N.O.)
	Logic	PNP or NPN
	Voltage Level	24 VDC, 8mA Max
Wet Inputs	Count	2 configurable
	Programmable Inputs	Run/Shutdown / Permissive / Fireman's Override / Limit Switch / Speed A / Speed B / None - SW configurable (Default N.O.)
	Voltage Level	12–240 ± 10%V, 8mA Max
Analog	Count	2 selectable via DIP switch (A1 - configurable 0–10V/4–20mA, 2A - 0–10V configurable as input or output)
	Mode	Voltage or Current
	Level	0–10VDC or 4–20mA
Damper Output	Count	1 damper actuator output
	Control Power	24VDC, 1Amp Max
Relay Outputs	Count	2 Relay Outputs
	Programmable	Status, Run, Fault, SW Configurable
	Control Power	240VAC, 1Amp Max
Protection	Functions	OV/UV (Line or DC Bus), Inverter Over Current, Inverter Overheat, Input Phase Loss, Output Phase Open, Ground Fault, Locked Rotor / Stall, Under Power, Over Power, Inverter Short Circuit Protection, Temperature Sensor Fault, Communication Loss, Loss of Analog Signal, Hardware Fault, Broken Belt, Dry Well, Dead Head, Torque Monitoring & Protection, No Motor, Overpressure, Max time to start, Bypass contactor
	Short Circuit Rating	100 kAIC fused protected
Environmental	Ambient Temperature	-10 to 50°C
	Storage Temperature	-20 to 65°C
	Location	Pollution Degree 2 Environment
	Altitude	Max 1000m above sea level. De-rate 1% per 100m from 1000–2000m and 2% per 100m from 2000–3000m. Consult factory for installations above 3000m.
	Relative Humidity	95% Relative Humidity (non-condensing)
Certifications	Agency Approvals	UL, cUL
	Vibration	OSHPD, IBC 2009
	Enclosure Rating	UL Type 1 (IP21), Plenum-rated (Available packaged as UL Type 12/IP54, UL Type 3R/IP54, UL Type 4X/IP66)
	Keypad Rating	UL Type 1 (IP21)
	EMC	EN 61800-3 (Radiated and Conducted Emissions)
	CE	Electromagnetic compatibility 2004/108/EEC, Low-voltage directive 2006/95/EEC

Q-LINK STANDARD SCHEMATIC AND DIMENSIONS

WIRING DIAGRAM



NOTES
1. DASHED LINES INDICATE FIELD WIRING

Q-LINK DIMENSIONS

Q-LINK HP RATED VFD	W x H x D
QLNK1-000-HPR-DV	5.5" x 31.75" x 6.75"
QLNK1-001-HPR-DV	
QLNK1-002-HPR-DV	
QLNK1-003-HPR-DV	
QLNK1-005-HPR-DV	
QLNK1-007-HPR-DV	
QLNK1-010-HPR-DV	

