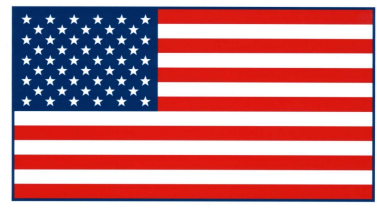
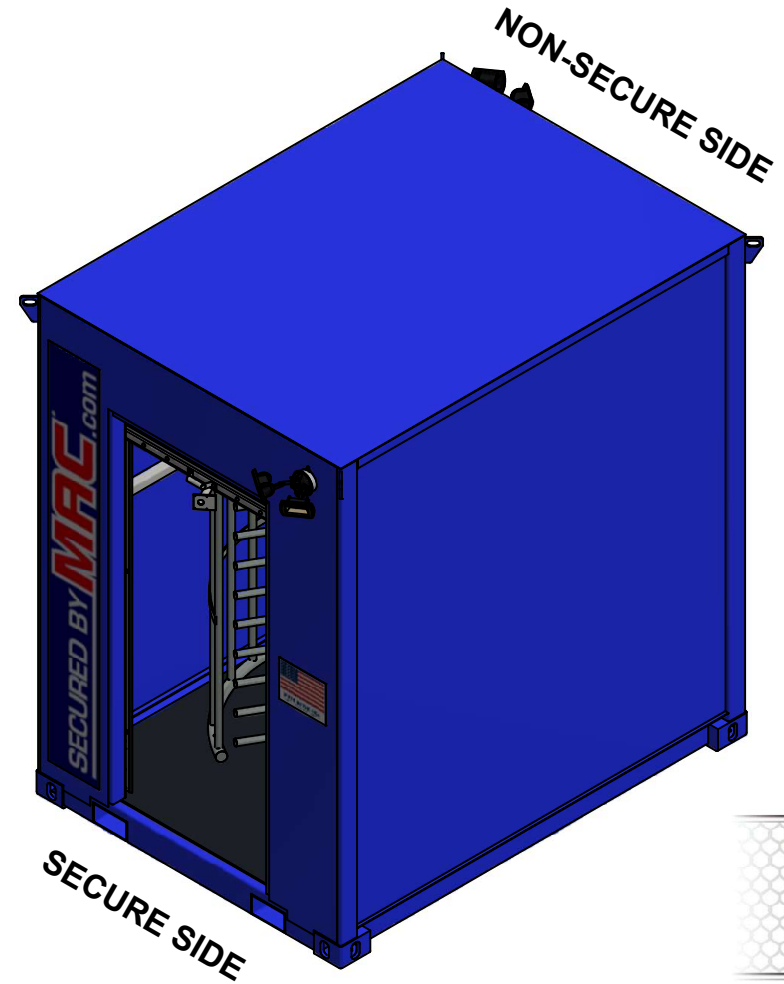
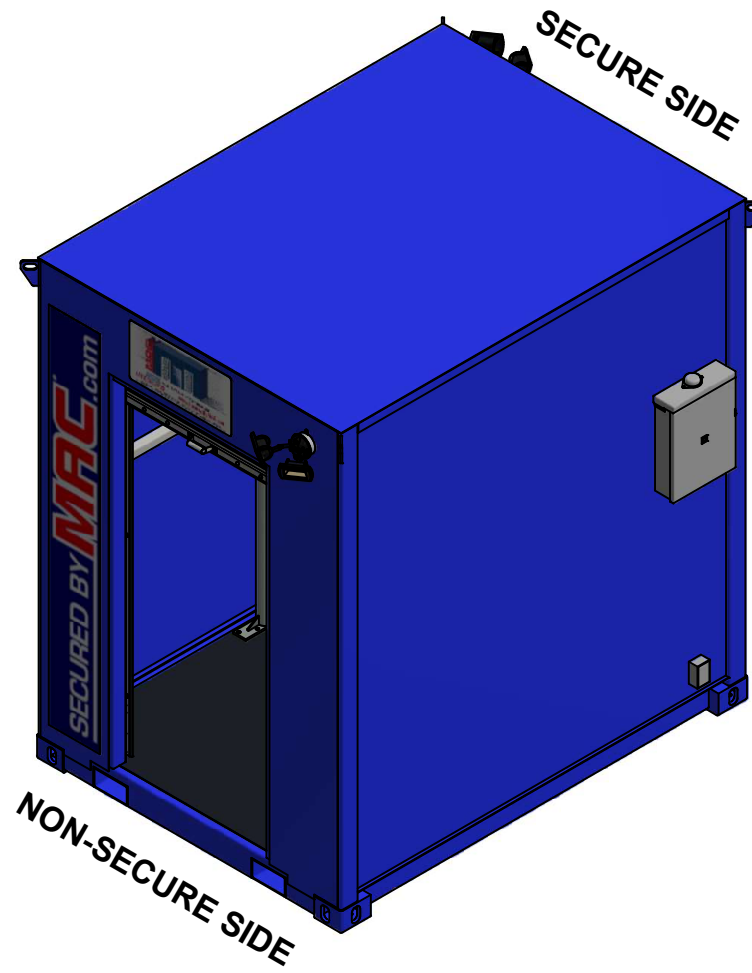


**SECURED BY MAC.com**



**MADE IN THE USA**  
 IRONTON, OH | WORTHINGTON, KY | WURLAND, KY

THIRD ANGLE PROJECTION	SHEET SIZE
	ANSI D

**ISOMETRIC SHEETS - OVERALL 1**

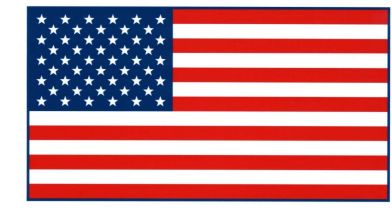
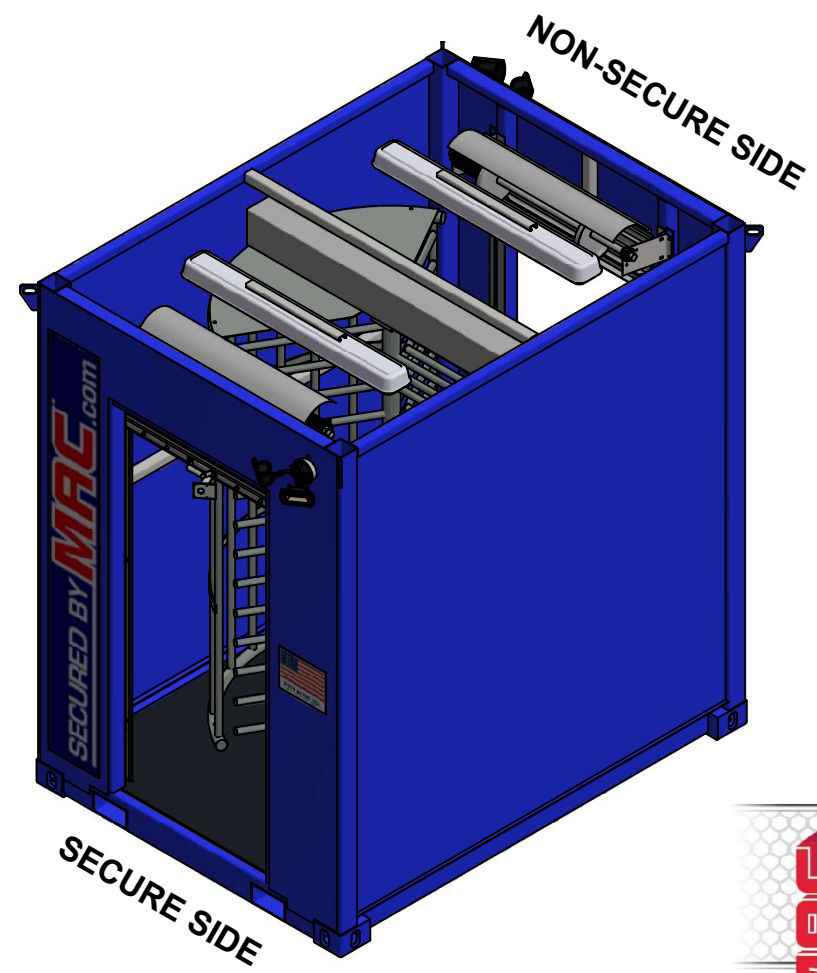
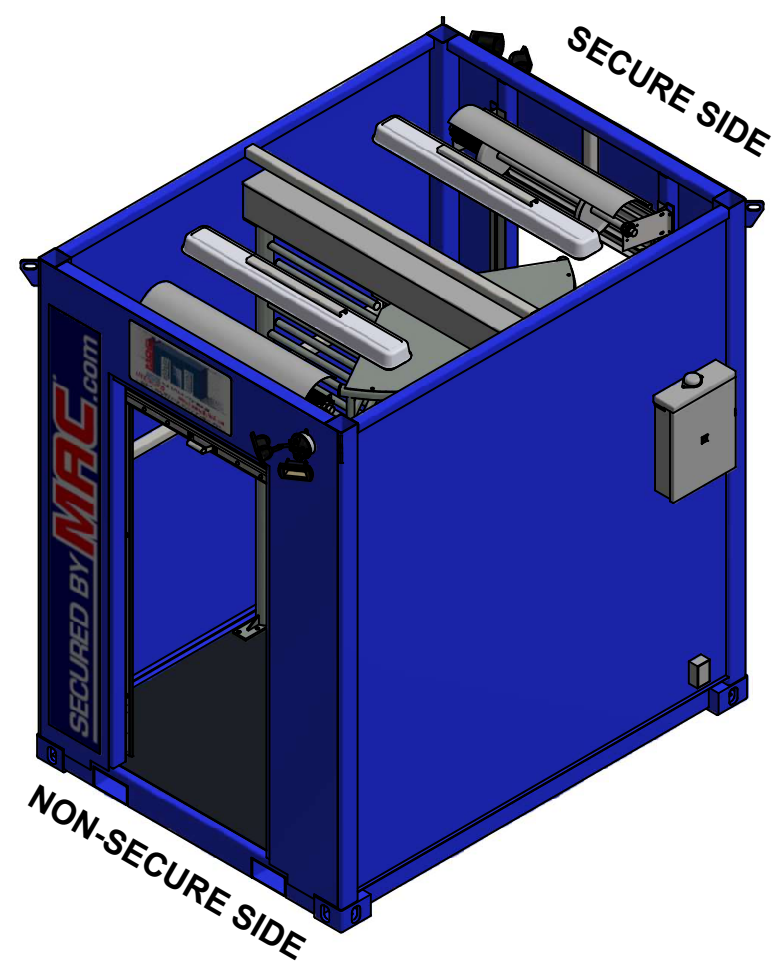


THIS MSSI PRODUCT IS COVERED BY ONE OR MORE OF THE FOLLOWING PATENTS:  
 US 9,404,278; US 9,051,748; US 8,671,624; US 8,015,754; US 7,762,025; 7,823,338;  
 CA 2,587,968; CA 2,682,764; EP 1812666; DZ 5173; EG 25627; NG RPNG/C/C2007/737; EP 2137356

THIS DOCUMENT CONTAINS INFORMATION THAT IS CONFIDENTIAL AND PROPRIETARY TO MODULAR SECURITY SYSTEMS, INC. THIS DOCUMENT IS FURNISHED ON THE UNDERSTANDING THAT THE DOCUMENT AND THE INFORMATION IT CONTAINS WILL NOT BE REPRODUCED OR DISCLOSED TO OTHERS WITHOUT THE WRITTEN CONSENT OF MODULAR SECURITY SYSTEMS, INC. OR USED FOR ANY PURPOSE OTHER THAN CONDUCTING BUSINESS WITH MODULAR SECURITY SYSTEMS, INC. AND WILL BE RETURNED, AND ALL FURTHER USE DISCONTINUED UPON REQUEST BY MODULAR SECURITY SYSTEMS, INC. COPYRIGHT MODULAR SECURITY SYSTEMS, INC. FIRST YEAR COPYRIGHT IS FIRST YEAR INDICATED ON THIS DOCUMENT. ALL RIGHTS RESERVED.

<b>MSSI</b> Modular Security Systems		CUSTOMER MSSI STANDARDS		PROJECT NO M19-162		PROJECT MAC1	
TITLE ISOMETRIC SHEETS - OVERALL 1		REVISIONS		DWG NO M19-162-M1XX-0100		SCALE N.T.S.	
NO.	DATE	BY	DESCRIPTION	SALES APPR. O.A.	MFG. APPR.	DATE	INITIAL RELEASE
0	6/24/2019	NSM	INITIAL RELEASE				
COMMENTS:		FINISH ALL MACHINED SURFACES AND BREAK ALL SHARP EDGES UNLESS OTHERWISE SPECIFIED.		TOLERANCES ON ALL DIMENSIONS UNLESS OTHERWISE NOTED SHALL BE:		ONE PLACE DECIMAL ± 0.03 THREE PLACE DECIMAL ± 0.005 FRACTIONAL ± 1/16" ANGULAR ± 1°	
4	DATE	BY	DATE	DATE	DATE	DATE	DATE
3	6/19/2019	NSM	6/19/2019				
2	6/24/2019	JES	6/24/2019				
1	6/24/2019	JES	6/24/2019				

# SECURED BY MAC.com



**MADE IN THE USA**  
 IRONTON, OH | WORTHINGTON, KY | WURLAND, KY

THIRD ANGLE PROJECTION	SHEET SIZE
	ANSI D

**ISOMETRIC SHEETS - OVERALL 2**



THIS MSSI PRODUCT IS COVERED BY ONE OR MORE OF THE FOLLOWING PATENTS:  
 US 9,404,278; US 9,051,748; US 8,671,624; US 8,015,754; US 7,762,025; 7,823,338;  
 CA 2,587,968; CA 2,682,764; EP 1812666; DZ 5173; EG 25627; NG RPNG/C/C2007/737; EP 2137356

THIS DOCUMENT CONTAINS INFORMATION THAT IS CONFIDENTIAL AND PROPRIETARY TO MODULAR SECURITY SYSTEMS, INC. THIS DOCUMENT IS FURNISHED ON THE UNDERSTANDING THAT THE DOCUMENT AND THE INFORMATION IT CONTAINS WILL NOT BE REPRODUCED OR DISCLOSED TO OTHERS WITHOUT THE WRITTEN CONSENT OF MODULAR SECURITY SYSTEMS, INC. OR USED FOR ANY PURPOSE OTHER THAN CONDUCTING BUSINESS WITH MODULAR SECURITY SYSTEMS, INC. AND WILL BE RETURNED, AND ALL FURTHER USE DISCONTINUED UPON REQUEST BY MODULAR SECURITY SYSTEMS, INC. COPYRIGHT MODULAR SECURITY SYSTEMS, INC. FIRST YEAR COPYRIGHT IS FIRST YEAR INDICATED ON THIS DOCUMENT. ALL RIGHTS RESERVED.

PROJECT NO	M19-162
CUSTOMER	MSSI STANDARDS
PROJECT	MAC1
TITLE	ISOMETRIC SHEETS - OVERALL 2
DWG NO	M19-162-MTXX-0101
SCALE	N.T.S.
Q.A.	
MFG. APPR.	
SALES APPR.	
ENG. APPR.	
CHECKED	JES
DATE	6/24/2019
BY	NSM
DATE	6/19/2019
DRAWN	NSM
DATE	6/19/2019
BY	JES
DATE	6/24/2019
CHECKED	JES
DATE	6/24/2019
BY	JES
DATE	6/24/2019
DRAWN	NSM
DATE	6/19/2019

REVISIONS

NO.	DATE	DESCRIPTION
0	6/24/2019	NSM INITIAL RELEASE

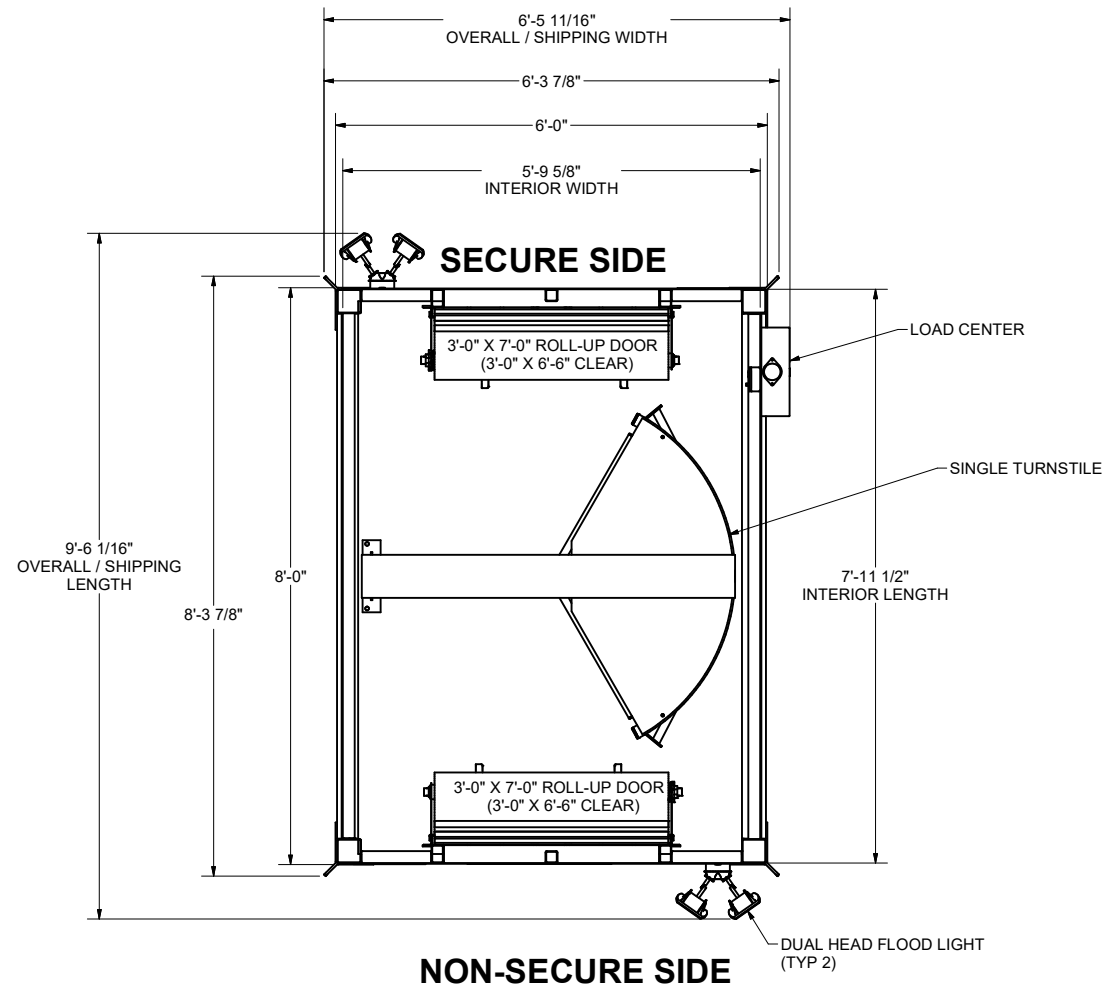
COMMENTS:

1 FINISH ALL MACHINED SURFACES AND BREAK ALL SHARP EDGES UNLESS OTHERWISE SPECIFIED.

2 TOLERANCES ON ALL DIMENSIONS UNLESS OTHERWISE NOTED SHALL BE:  
 ONE PLACE DECIMAL ± 0.03  
 THREE PLACE DECIMAL ± 0.005  
 FRACTIONAL ± 1/16"  
 ANGULAR ± 1°

3 THE NUMBER IN THE FINISH SYMBOL <sup>125</sup> IS THE MAXIMUM ACCEPTABLE ROUGHNESS VALUE IN A.A. MICRO-INCHES.

FINISH SCHEDULE						
SPACE	MATERIALS	WALLS	CEILING	FLOOR	NOTES	
TURNSTILE BAY	FRAMING	CUSTOM ENCLOSURE	CUSTOM ENCLOSURE	CUSTOM ENCLOSURE	N/A	
	INSULATION	N/A	N/A	N/A	N/A	
	SUBSURFACE	N/A	N/A	N/A	N/A	
	SURFACE	PAINTED STEEL	PAINTED STEEL	SPRAY-ON SKID-RESISTANT	N/A	



**GENERAL ARRANGEMENT - PLAN VIEW**  
SCALE 3/4" = 1'-0"

4	DATE	6/19/2019
3	BY	NSM
2	CHECKED	JES
1	ENG. APPR.	JES
	SALES APPR.	
	MFG. APPR.	
	Q.A.	
	SCALE	3/4" = 1'-0"
	DWG NO	M19-162-MTXX-0200

0	6/24/2019	NSM	INITIAL RELEASE
	NO.	DATE	DESCRIPTION

<b>REVISIONS</b>			
TITLE			
GENERAL ARRANGEMENT - PLAN VIEW			

**MSSI**  
Modular Security Systems

**M19-162**  
CUSTOMER  
MSSI STANDARDSPROJECT

**MAC1**  
PROJECT

THIS MSSI PRODUCT IS COVERED BY ONE OR MORE OF THE FOLLOWING PATENTS:  
US 9,404,278; US 9,051,748; US 8,671,624; US 8,015,754; US 7,762,025; 7,823,338;  
CA 2,587,968; CA 2,682,764; EP 1812666; DZ 5173; EG 25627; NG RPNG/C/C2007/737; EP 2137356

THIS DOCUMENT CONTAINS INFORMATION THAT IS CONFIDENTIAL AND PROPRIETARY TO MODULAR SECURITY SYSTEMS, INC. THIS DOCUMENT IS FURNISHED ON THE UNDERSTANDING THAT THE DOCUMENT AND THE INFORMATION IT CONTAINS WILL NOT BE REPRODUCED OR DISCLOSED TO OTHERS WITHOUT THE WRITTEN CONSENT OF MODULAR SECURITY SYSTEMS, INC. OR USED FOR ANY PURPOSE OTHER THAN CONDUCTING BUSINESS WITH MODULAR SECURITY SYSTEMS, INC. AND WILL BE RETURNED AND ALL FURTHER USE DISCONTINUED UPON REQUEST BY MODULAR SECURITY SYSTEMS, INC. COPYRIGHT MODULAR SECURITY SYSTEMS, INC. FIRST YEAR COPYRIGHT IS FIRST YEAR INDICATED ON THIS DOCUMENT. ALL RIGHTS RESERVED.

THIRD ANGLE PROJECTION	SHEET SIZE
	ANSI D

TOLERANCES ON ALL DIMENSIONS UNLESS OTHERWISE NOTED SHALL BE:  
ONE PLACE DECIMAL ± 0.03  
THREE PLACE DECIMAL ± 0.005  
ANGULAR ± 1/16"

FINISH ALL MACHINED SURFACES AND BREAK ALL SHARP EDGES UNLESS OTHERWISE SPECIFIED.

THE NUMBER IN THE FINISH SYMBOL IS THE MAXIMUM ACCEPTABLE ROUGHNESS VALUE IN A.A. MICRO-INCHES.