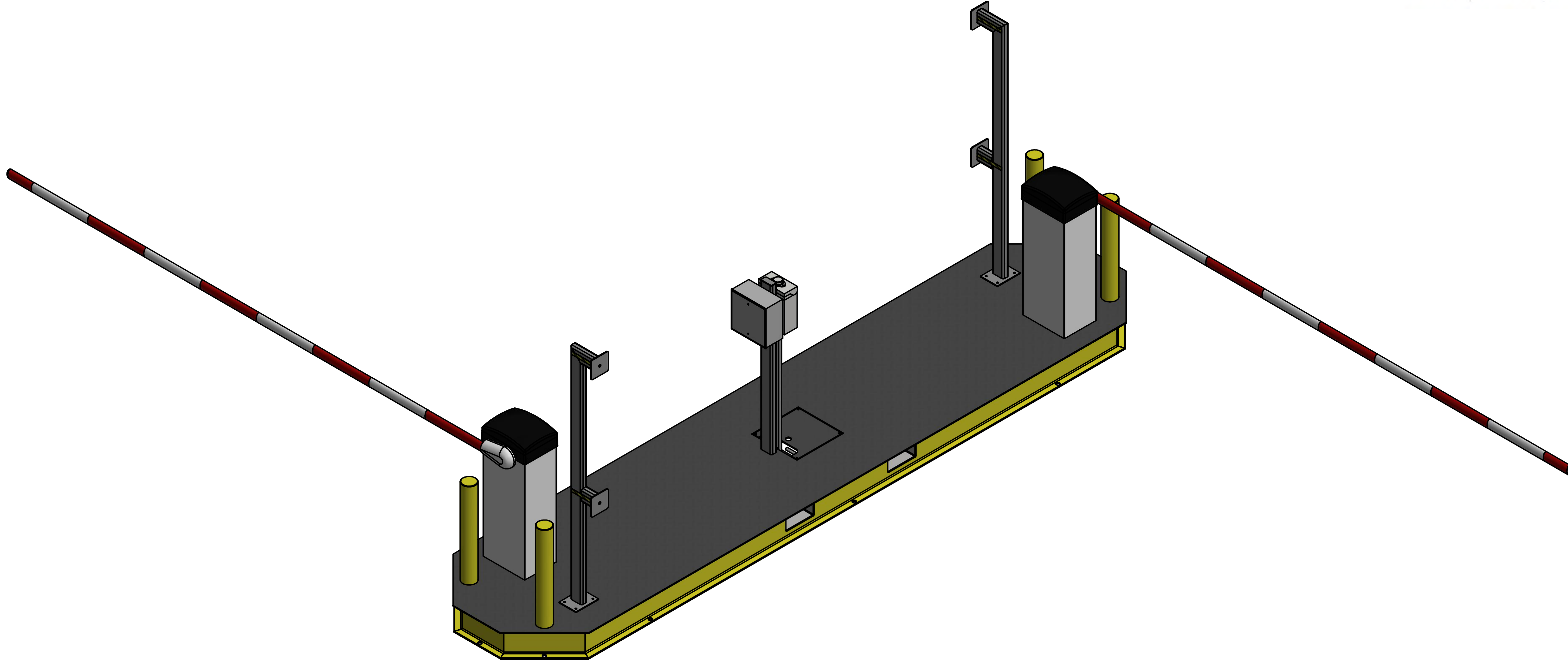
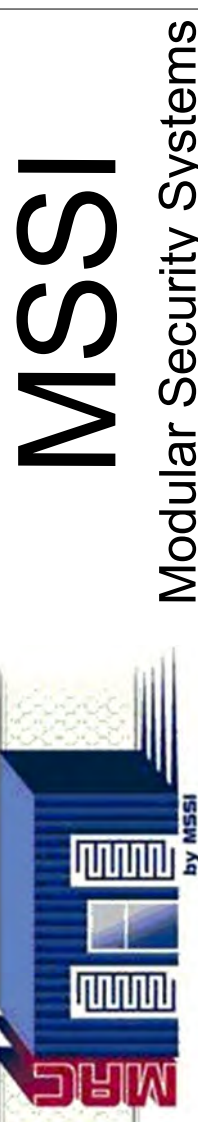


SECURED BY **MFC**.com



ISOMETRIC SHEETS - OVERALL 1

Patent pending with additional patents pending in the U.S. and Worldwide



CUSTOMER: MSSI STANDARDS
PROJECT: M17-208
PROJECT: VAC2 BASE

NO.	DATE	BY	DESCRIPTION
B	2/27/2018	REA	MANUFACTURING REVISIONS
A	12/6/2017	MGJ	MANUFACTURING REVISIONS
0	9/21/2017	REA	INITIAL RELEASE

BY	DATE
REA	6/4/2017
JES	12/6/2017
JES	12/6/2017

DRAWN	CHECKED	ENG. APPR.	SALES APPR.	MFG. APPR.	O.A.	SCALE	N.T.S.	DRAWING #
								M17-208-V2BX-0100

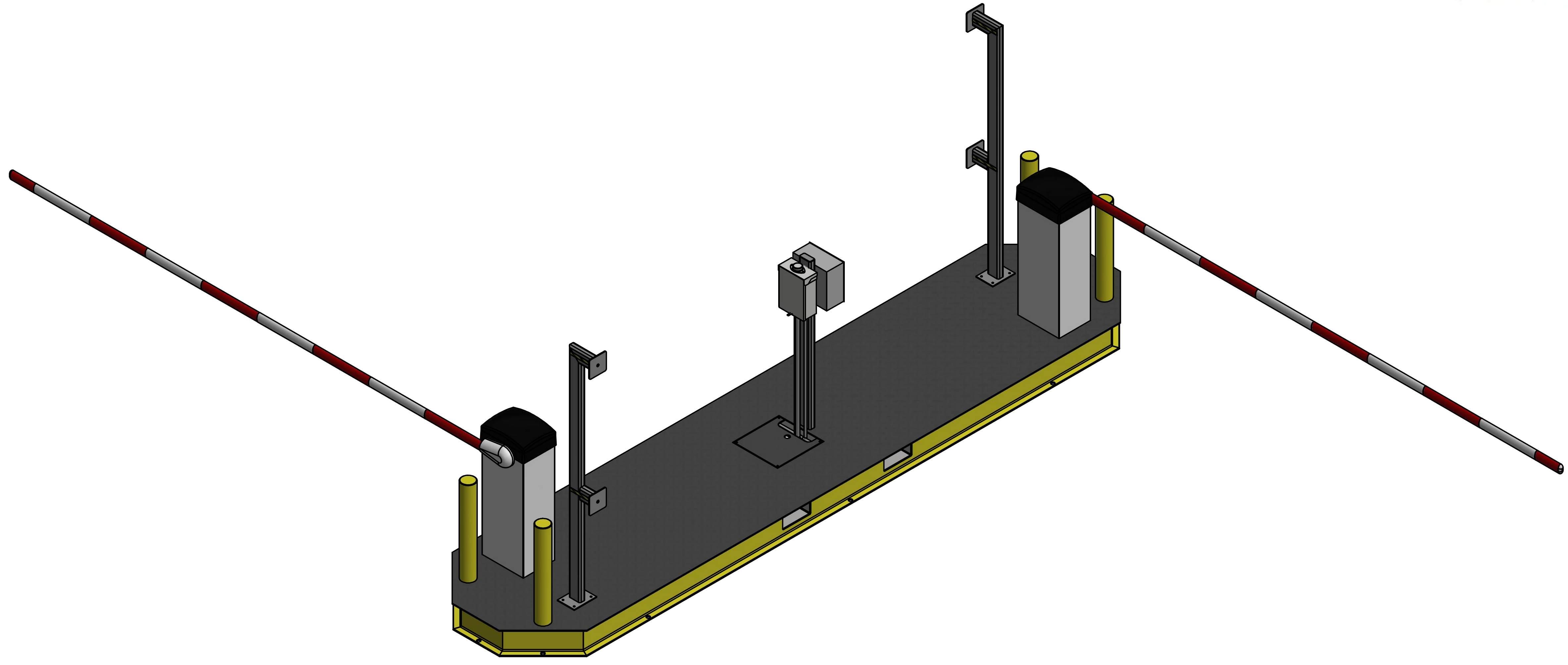
TOLERANCES ON ALL DIMENSIONS UNLESS OTHERWISE NOTED SHALL BE:
 ONE PLACE DECIMAL ±0.03
 THREE PLACE DECIMAL ±0.005
 FRACTIONAL ±1/16"
 ANGULAR ±1°

FINISH ALL MACHINED SURFACES AND BREAK ALL SHARP EDGES UNLESS OTHERWISE SPECIFIED.
 THE NUMBER IN THE FINISH SYMBOL IS THE MAXIMUM ACCEPTABLE ROUGHNESS VALUE IN A.A. MICRO-INCHES.

THIRD ANGLE PROJECTION	SHEET SIZE
	ANSI D

THIS DOCUMENT CONTAINS INFORMATION THAT IS CONFIDENTIAL AND PROPRIETARY TO MODULAR SECURITY SYSTEMS, INC. THIS DOCUMENT IS FURNISHED ON THE UNDERSTANDING THAT THE DOCUMENT AND THE INFORMATION IT CONTAINS WILL NOT BE REPRODUCED OR DISCLOSED TO OTHERS WITHOUT THE WRITTEN CONSENT OF MODULAR SECURITY SYSTEMS, INC. OR USED FOR ANY PURPOSE OTHER THAN CONDUCTING BUSINESS WITH MODULAR SECURITY SYSTEMS, INC., AND WILL BE RETURNED AND ALL FURTHER USE DISCONTINUED UPON REQUEST BY MODULAR SECURITY SYSTEMS, INC. COPYRIGHT MODULAR SECURITY SYSTEMS, INC. FIRST YEAR COPYRIGHT IS FIRST YEAR INDICATED ON THIS DOCUMENT. ALL RIGHTS RESERVED.

SECURED BY **MAC**.com



ISOMETRIC SHEETS - OVERALL 2

THIRD ANGLE PROJECTION	SHEET SIZE
	ANSI D

THIS DOCUMENT CONTAINS INFORMATION THAT IS CONFIDENTIAL AND PROPRIETARY TO MODULAR SECURITY SYSTEMS, INC. THIS DOCUMENT IS FURNISHED ON THE UNDERSTANDING THAT THE DOCUMENT AND THE INFORMATION IT CONTAINS WILL NOT BE REPRODUCED OR DISCLOSED TO OTHERS WITHOUT THE WRITTEN CONSENT OF MODULAR SECURITY SYSTEMS, INC. OR USED FOR ANY PURPOSE OTHER THAN CONDUCTING BUSINESS WITH MODULAR SECURITY SYSTEMS, INC., AND WILL BE RETURNED AND ALL FURTHER USE DISCONTINUED UPON REQUEST BY MODULAR SECURITY SYSTEMS, INC. COPYRIGHT MODULAR SECURITY SYSTEMS, INC. FIRST YEAR COPYRIGHT IS FIRST YEAR INDICATED ON THIS DOCUMENT. ALL RIGHTS RESERVED.

Patent pending with additional patents pending in the U.S. and Worldwide

MSSI
Modular Security Systems

MSS by **MSSI**

CUSTOMER: MSSI STANDARDS
PROJECT: M17-208
PROJECT: VAC2 BASE

NO.	DATE	BY	DESCRIPTION
B	2/27/2018	REA	MANUFACTURING REVISIONS
A	12/6/2017	MGJ	MANUFACTURING REVISIONS
0	9/21/2017	REA	INITIAL RELEASE

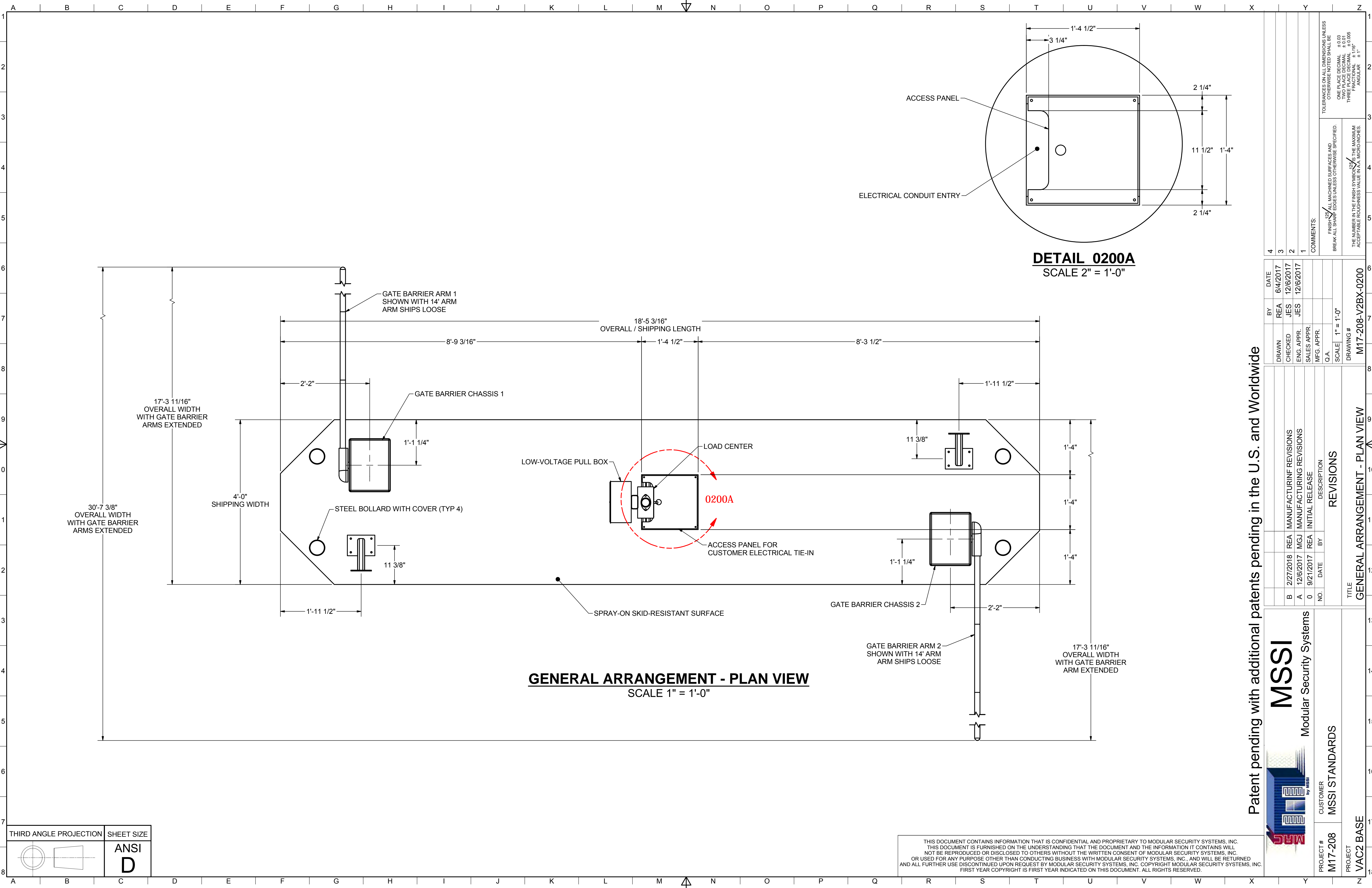
TITLE: ISOMETRIC SHEETS - OVERALL 2

DRAWN	CHECKED	ENG. APPR.	SALES APPR.	MFG. APPR.	O.A.	SCALE	N.T.S.	DRAWING #
REA	JES	JES						M17-208-V2BX-0101

BY	DATE	COMMENTS
REA	6/4/2017	
JES	12/6/2017	
JES	12/6/2017	

TOLERANCES ON ALL DIMENSIONS UNLESS OTHERWISE NOTED SHALL BE:
 ONE PLACE DECIMAL ±0.03
 THREE PLACE DECIMAL ±0.005
 FRACTIONAL ±1/16"
 ANGULAR ±1°

FINISH: ALL MACHINED SURFACES AND BREAK ALL SHARP EDGES UNLESS OTHERWISE SPECIFIED.
 THE NUMBER IN THE FINISH SYMBOL IS THE MAXIMUM ACCEPTABLE ROUGHNESS VALUE IN A.A. MICRO-INCHES.



DETAIL 0200A
SCALE 2" = 1'-0"

GENERAL ARRANGEMENT - PLAN VIEW
SCALE 1" = 1'-0"

TOLERANCES ON ALL DIMENSIONS UNLESS OTHERWISE NOTED SHALL BE:

ONE PLACE DECIMAL	± 0.03
TWO PLACE DECIMAL	± 0.005
THREE PLACE DECIMAL	± 0.0005
FRACTIONAL	± 1/16"
ANGULAR	± 1°

COMMENTS:

1	FINISH ALL SURFACES UNLESS OTHERWISE SPECIFIED. BREAK ALL SHARP EDGES UNLESS OTHERWISE SPECIFIED.
2	THE NUMBER IN THE FINISH SYMBOL IS THE MAXIMUM ACCEPTABLE ROUGHNESS VALUE IN A.A. MICRO-INCHES.

Patent pending with additional patents pending in the U.S. and Worldwide

NO.	DATE	BY	DESCRIPTION
0	9/21/2017	REA	INITIAL RELEASE
A	12/8/2017	MGJ	MANUFACTURING REVISIONS
B	2/27/2018	REA	MANUFACTURING REVISIONS

PROJECT #	M17-208
CUSTOMER	MSSI STANDARDS
PROJECT	VAC2 BASE
TITLE	GENERAL ARRANGEMENT - PLAN VIEW
DRAWING #	M17-208-V2BX-0200
SCALE	1" = 1'-0"
O.A.	
MFG. APPR.	
SALES APPR.	
ENG. APPR.	
CHECKED	JES
DATE	12/6/2017
BY	JES
DATE	6/4/2017
REA	
DATE	12/6/2017
JES	
DATE	6/4/2017
REA	

THIRD ANGLE PROJECTION	SHEET SIZE
	ANSI D

THIS DOCUMENT CONTAINS INFORMATION THAT IS CONFIDENTIAL AND PROPRIETARY TO MODULAR SECURITY SYSTEMS, INC. THIS DOCUMENT IS FURNISHED ON THE UNDERSTANDING THAT THE DOCUMENT AND THE INFORMATION IT CONTAINS WILL NOT BE REPRODUCED OR DISCLOSED TO OTHERS WITHOUT THE WRITTEN CONSENT OF MODULAR SECURITY SYSTEMS, INC. OR USED FOR ANY PURPOSE OTHER THAN CONDUCTING BUSINESS WITH MODULAR SECURITY SYSTEMS, INC., AND WILL BE RETURNED AND ALL FURTHER USE DISCONTINUED UPON REQUEST BY MODULAR SECURITY SYSTEMS, INC. COPYRIGHT MODULAR SECURITY SYSTEMS, INC. FIRST YEAR COPYRIGHT IS FIRST YEAR INDICATED ON THIS DOCUMENT. ALL RIGHTS RESERVED.

