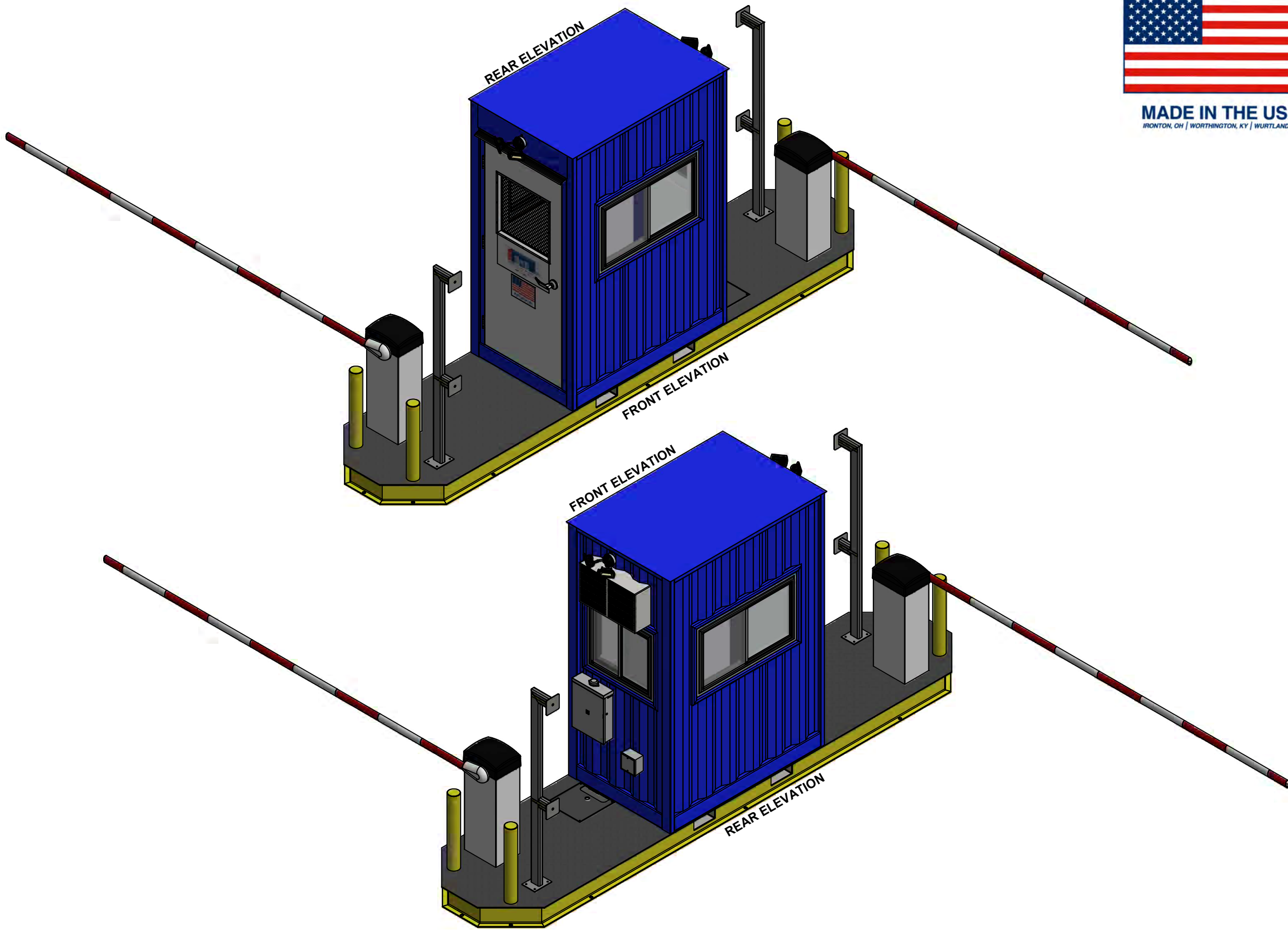


SECURED BY **MFC**.com



THIRD ANGLE PROJECTION	SHEET SIZE
	ANSI D

ISOMETRIC SHEETS - OVERALL 1

THIS DOCUMENT CONTAINS INFORMATION THAT IS CONFIDENTIAL AND PROPRIETARY TO MODULAR SECURITY SYSTEMS, INC. THIS DOCUMENT IS FURNISHED ON THE UNDERSTANDING THAT THE DOCUMENT AND THE INFORMATION IT CONTAINS WILL NOT BE REPRODUCED OR DISCLOSED TO OTHERS WITHOUT THE WRITTEN CONSENT OF MODULAR SECURITY SYSTEMS, INC. OR USED FOR ANY PURPOSE OTHER THAN CONDUCTING BUSINESS WITH MODULAR SECURITY SYSTEMS, INC. AND WILL BE RETURNED AND ALL FURTHER USE DISCONTINUED UPON REQUEST BY MODULAR SECURITY SYSTEMS, INC. COPYRIGHT MODULAR SECURITY SYSTEMS, INC. FIRST YEAR COPYRIGHT IS FIRST YEAR INDICATED ON THIS DOCUMENT. ALL RIGHTS RESERVED.

Patent pending with additional patents pending in the U.S. and Worldwide

PROJECT #	M17-216
CUSTOMER	MSSI STANDARDS
PROJECT	VAC2 MINI

TITLE		ISOMETRIC SHEETS - OVERALL 1
REVISIONS		
NO.	DATE	DESCRIPTION
A	2/23/2018	REA MANUFACTURING REVIEW
0	2/21/2018	REA INITIAL RELEASE

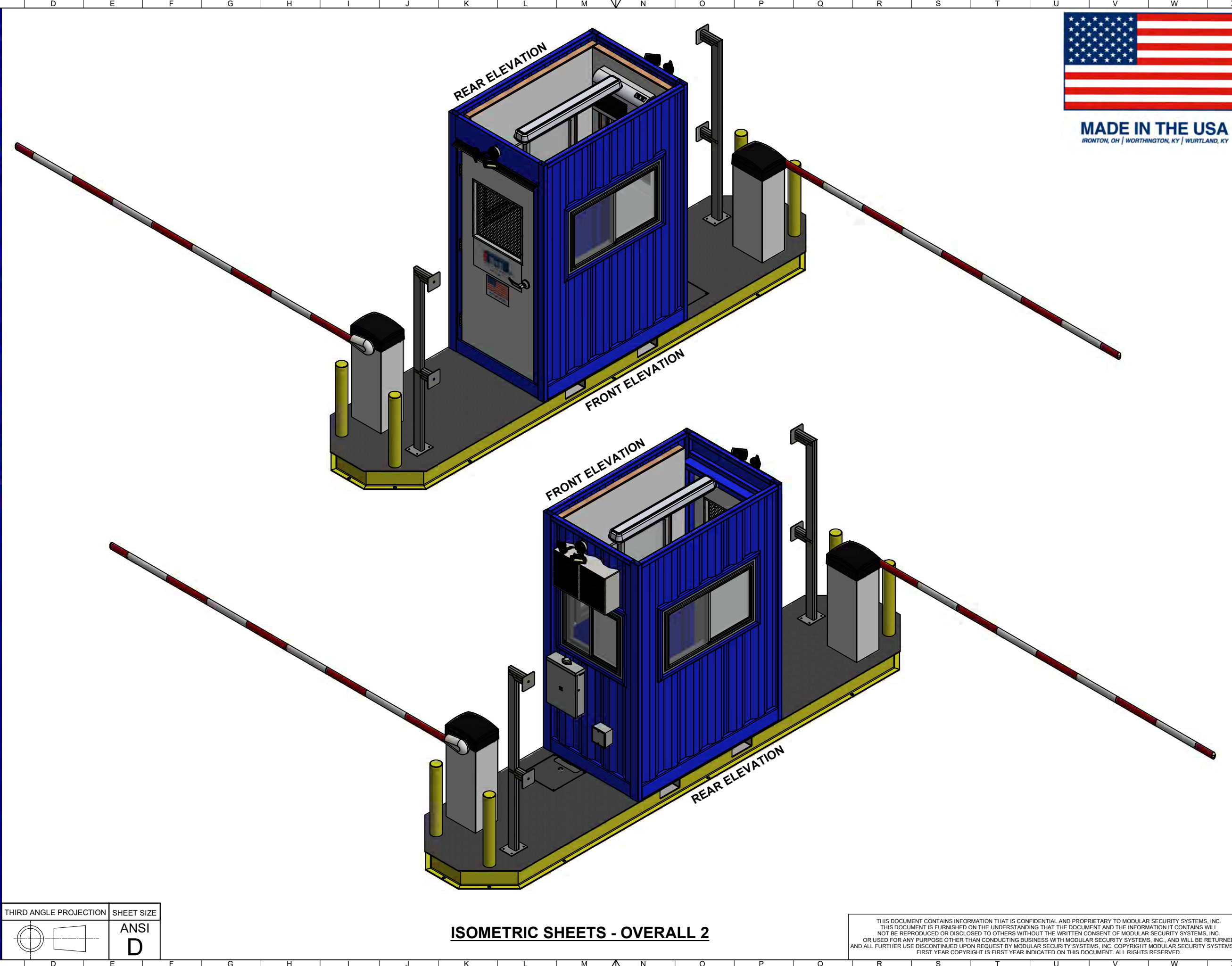
DRAWN	BY	DATE
REA	REA	6/4/2017
CHECKED	JES	2/23/2018
ENG. APPR.	JES	2/23/2018
SALES APPR.	IBH	2/22/2018
MFG. APPR.	TH	2/22/2018
O.A.	N.T.S.	
SCALE	N.T.S.	
DRAWING #		M17-216-V2MX-0100

COMMENTS:

- FINISH ALL MACHINED SURFACES AND BREAK ALL SHARP EDGES UNLESS OTHERWISE SPECIFIED.
- OTHERS NOTED SHALL BE
- ONE PLACE DECIMAL ± 0.03
- TOLERANCES ON ALL DIMENSIONS UNLESS OTHERWISE NOTED SHALL BE
- THREE PLACE DECIMAL ± 0.005
- FRACTIONAL ± 1/16"
- ANGULAR ± 1°

THE NUMBER IN THE FINISH SYMBOL IS THE MAXIMUM ACCEPTABLE ROUGHNESS VALUE IN A. MICRO-INCHES.

SECURED BY **MFC**.com



THIRD ANGLE PROJECTION	SHEET SIZE
	ANSI D

ISOMETRIC SHEETS - OVERALL 2

THIS DOCUMENT CONTAINS INFORMATION THAT IS CONFIDENTIAL AND PROPRIETARY TO MODULAR SECURITY SYSTEMS, INC. THIS DOCUMENT IS FURNISHED ON THE UNDERSTANDING THAT THE DOCUMENT AND THE INFORMATION IT CONTAINS WILL NOT BE REPRODUCED OR DISCLOSED TO OTHERS WITHOUT THE WRITTEN CONSENT OF MODULAR SECURITY SYSTEMS, INC. OR USED FOR ANY PURPOSE OTHER THAN CONDUCTING BUSINESS WITH MODULAR SECURITY SYSTEMS, INC. AND WILL BE RETURNED AND ALL FURTHER USE DISCONTINUED UPON REQUEST BY MODULAR SECURITY SYSTEMS, INC. COPYRIGHT MODULAR SECURITY SYSTEMS, INC. FIRST YEAR COPYRIGHT IS FIRST YEAR INDICATED ON THIS DOCUMENT. ALL RIGHTS RESERVED.

Patent pending with additional patents pending in the U.S. and Worldwide

	MSSI Modular Security Systems
CUSTOMER	MSSI STANDARDS
PROJECT #	M17-216
PROJECT	VAC2 MINI

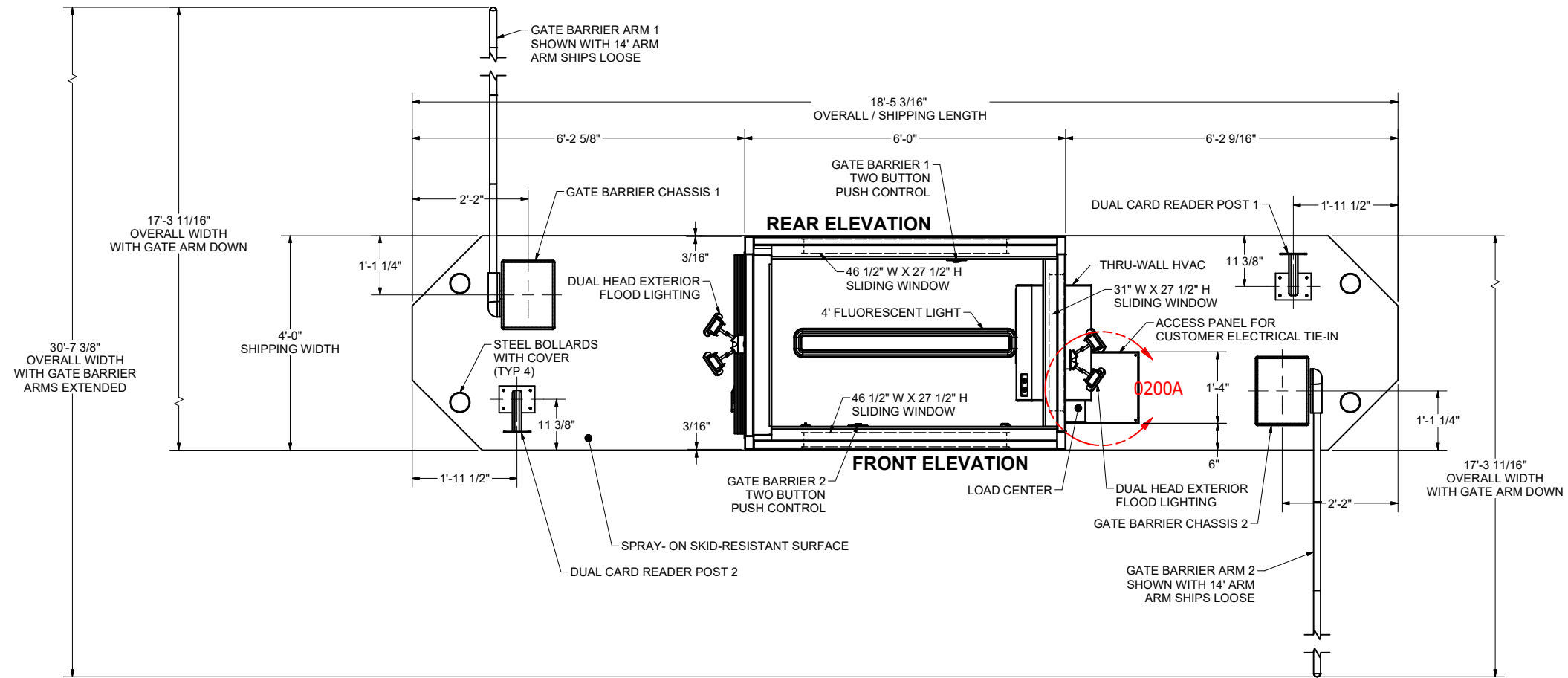
REVISIONS	
NO.	DESCRIPTION
A	2/23/2018 REA MANUFACTURING REVIEW
0	2/21/2018 REA INITIAL RELEASE

DRAWN	DATE	BY	DATE
REA	6/4/2017	REA	6/4/2017
CHECKED		JES	2/23/2018
ENG. APPR.		JES	2/23/2018
SALES APPR.		IBH	2/22/2018
MFG. APPR.		TH	2/22/2018
O.A.		N.T.S.	
SCALE		DRAWING #	M17-216-V2MX-0101

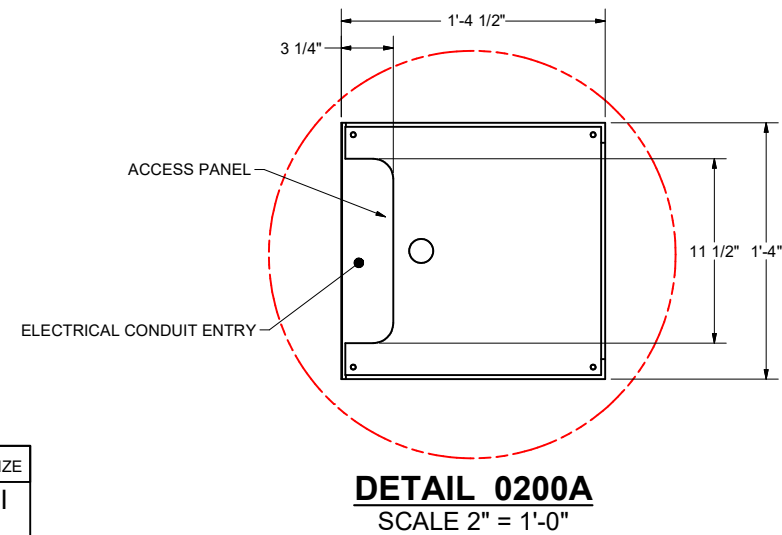
COMMENTS:
 FINISH ALL MACHINED SURFACES AND BREAK ALL SHARP EDGES UNLESS OTHERWISE SPECIFIED.
 TOLERANCES ON ALL DIMENSIONS UNLESS OTHERWISE NOTED SHALL BE:
 ONE PLACE DECIMAL ± 0.03
 THREE PLACE DECIMAL ± 0.005
 FRACTIONAL ± 1/16"
 ANGULAR ± 1°

THE NUMBER IN THE FINISH SYMBOL $\sqrt{125}$ IS THE MAXIMUM ACCEPTABLE ROUGHNESS VALUE IN A. MICRO-INCHES.

FINISH SCHEDULE						
SPACE	MATERIALS	WALLS	CEILING	FLOOR	NOTES	
OFFICE	FRAMING	2" X 3" WOOD STUD, 16" OC	2" X 3" WOOD STUD, 16" OC	N/A	2" X 4" WOOD STUD BAND AROUND CEILING PERIMETER ONLY	
	INSULATION	R-11 FIBERGLASS, KRAFT FACE	R-11 FIBERGLASS, KRAFT FACE	N/A	N/A	
	SUBSURFACE	1/2" (15/32") PLYWOOD, GRADE B/C	1/2" (15/32") PLYWOOD, GRADE B/C	NEW 1-1/8" PLYWOOD	N/A	
	SURFACE	FRP - STIPPLE, WHITE	FRP - STIPPLE, WHITE	ROLLED VINYL, SLATE GRAY, DIAMOND TREAD	N/A	



GENERAL ARRANGEMENT - PLAN VIEW
SCALE 3/4" = 1'-0"



DETAIL 0200A
SCALE 2" = 1'-0"

THIRD ANGLE PROJECTION	SHEET SIZE
	ANSI D

THIS DOCUMENT CONTAINS INFORMATION THAT IS CONFIDENTIAL AND PROPRIETARY TO MODULAR SECURITY SYSTEMS, INC. THIS DOCUMENT IS FURNISHED ON THE UNDERSTANDING THAT THE DOCUMENT AND THE INFORMATION IT CONTAINS WILL NOT BE REPRODUCED OR DISCLOSED TO OTHERS WITHOUT THE WRITTEN CONSENT OF MODULAR SECURITY SYSTEMS, INC. OR USED FOR ANY PURPOSE OTHER THAN CONDUCTING BUSINESS WITH MODULAR SECURITY SYSTEMS, INC. AND WILL BE RETURNED AND ALL FURTHER USE DISCONTINUED UPON REQUEST BY MODULAR SECURITY SYSTEMS, INC. COPYRIGHT MODULAR SECURITY SYSTEMS, INC. FIRST YEAR COPYRIGHT IS FIRST YEAR INDICATED ON THIS DOCUMENT. ALL RIGHTS RESERVED.

Patent pending with additional patents pending in the U.S. and Worldwide

MSSI
Modular Security Systems

CUSTOMER: MSSI STANDARDS

PROJECT #: M17-216

PROJECT: VAC2 MINI

NO.	DATE	DESCRIPTION
A	2/23/2018	REA MANUFACTURING REVIEW
0	2/21/2018	REA INITIAL RELEASE

BY	DATE
REA	6/4/2017
JES	2/23/2018
JES	2/23/2018
IBH	2/22/2018
TH	2/22/2018

SCALE: 3/4" = 1'-0"

DRAWING #: M17-216-V2MX-0200

TOLERANCES UNLESS OTHERWISE SPECIFIED:
 FINISHES: ± 0.03
 BREAK ALL SHARP EDGES UNLESS OTHERWISE SPECIFIED.
 THE NUMBER IN THE FINISH SYMBOL IS THE MAXIMUM ACCEPTABLE ROUNDNESS VALUE IN A. MICROINCHES.