



PORTABLE PLEXIGLASS SHIELDS

A FLEXIBLE, PORTABLE OPTION TO HELP MITIGATE THE SPREAD OF COVID-19

Protecting your staff and customers is vitally important—now more than ever. If your QSR, Quick-Casual outlet or C-Store operation are in need of portable protective shields or barriers, please contact us for solutions to help in reducing the spread of COVID-19. We have the inventory and infrastructure required to meet quick lead times in order to support you in protecting essential staff and the patrons you serve, during this challenging time.

BSI's Protective Plexiglass Shields can be used for:

- QSR and Quick Casual Cashier & POS
- Administrative and Receiving Areas
- Pick-up Locations with Pass-Thru
- Grill and Cooking Stations

Portable Plexiglass Shield Features

- Available in lengths of 24", 26" or 48"
- Standard height is 36"
- Standard base is 5"
- Plexiglass thickness is ¼" standard
- Optional pass-thru under cutout may be customized

Lead Time

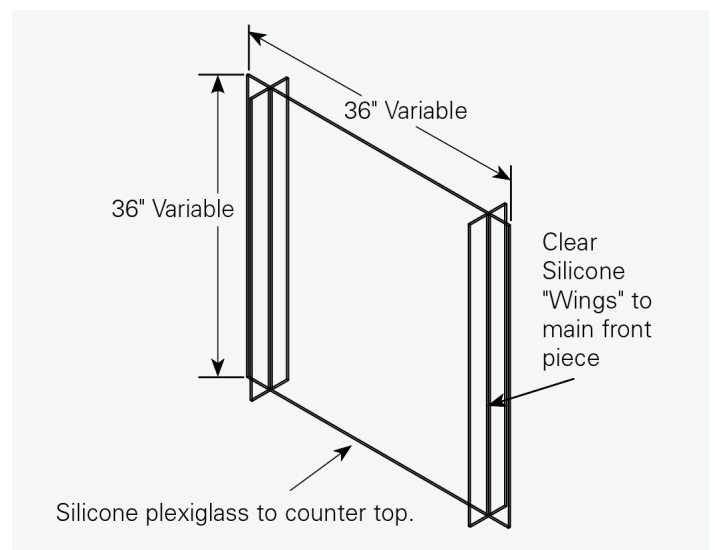
- 2 Week Lead Time – Standard
- BSI Protective Shields may be turnkey or customizable to meet your unique store requirements. Once design is selected and approved, units may be manufactured and shipped within two weeks, per 500 units; rush delivery for volume orders is available.

Cleaning Protocol

- Wipe dust and dirt from the plexiglass
- Wet plexiglass with a solution made from water and dish soap
- Avoid using products with alcohol, ammonia, or aromatics
- Wipe the plexiglass until it is dry



Shown with optional pass-thru under cutout.



CONTACT US TODAY

800.662.9595 or sales@bsidesigns.com