



Profit from the Eagle Advantage®

Foodservice Division: (800) 441-8440

MHC Division: (800) 637-5100

FAX: (302) 653-2065

# Product Announcement

## Short Form Specifications

Eagle Breath Shield, model \_\_\_\_\_. Available in Countertop and Bolted-On models. Countertop model requires no tools for assembly, and features 6" x 12" pass-through cutout and two 8" x 14" interlocking stands. Bolted-On model mounts onto front of checkout counter (hardware for some applications included). Both models made of 1/2"-thick durable plexiglass.

Item #:	_____
Model #:	_____
Project #:	_____
SIS #:	_____

EG8220 Rev. 04/20



## Eagle's Breath Shields

### Countertop model:

- Requires NO TOOLS for assembly.
- 1/2"-thick durable plexiglass.
- 23 1/2"-long x 35 1/2"-tall panel.
- Features 6" x 12" pass-through cutout.
- Easy assembly—NO TOOLS required. Two 8" x 14" stands lock into place with shield.
- Sold in packs of four (4).

### Bolted-on model:

- Easily mounts\* onto front of checkout counter.
- 1/2"-thick durable plexiglass.
- 29 1/4"-long x 30"-tall panel.
- 1" radius corners.
- Sold in packs of two (2).

\* Hardware for some applications included.

For custom configuration or fabrication needs, contact our **SpecFAB® Division**.  
Phone: (302) 653-3000. FAX: (302) 653-2065.  
E-mail: quotes@eaglegrp.com



*bolted-on models shown*



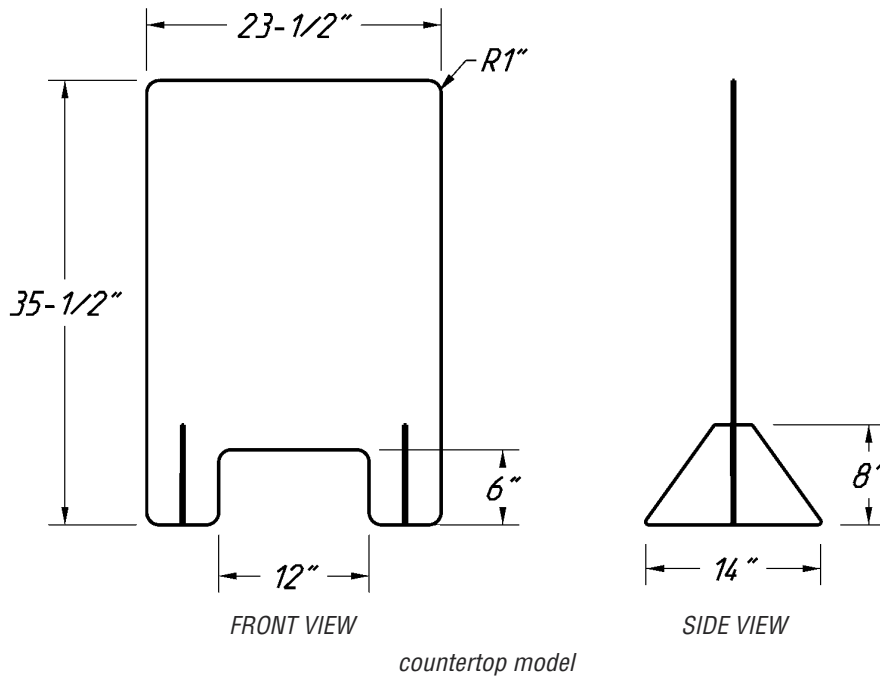
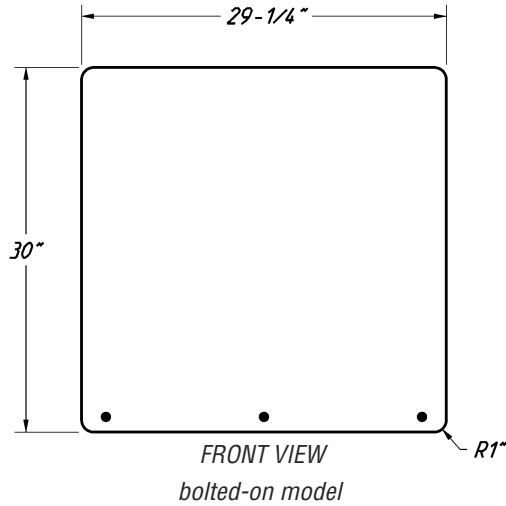
*countertop model shown*

*Add another layer of protection for your employees and customers with Eagle's breath shields. These protective panels provide a layer of safety between your customers and the employees serving them.*

*Durable and highly mobile, the countertop shield easily comes together without the need for tools! The Bolted-On model requires three bolts or screws for certain applications. For more information, please call our factory.*



# Breath Shields



description	height		length		quantity per pack	model #
	in.	mm	in.	mm		
countertop unit, w/pass-through	35½"	902	23½"	597	4	YJ-4260-00
bolted-on unit, full protection	30"	762	29¼"	743	2	YJ-4256-00