

OVRHTE

Sub and Mid-Level Distribution – 1,000A and below



Product features

- UL Listed 1449 4th edition for Type 2 SPD applications.
- Protects facilities and equipment against the harmful effects of lightning strikes and internally generated electrical transients.
- Includes pre-wired pigtail conductors to streamline installation.
- Features internal copper bus conduction path to minimize system impedances, lowering clamping voltage and increasing protection.
- 5-year standard warranty.

Available configurations

Model number	Voltage	Configuration
OVRHTExx1201P	120V	1-phase, 2-wire + ground
OVRHTExx2401P	240V	1-phase, 2-wire + ground
OVRHTExx1202S	120/240V	2-phase, 3-wire + ground
OVRHTExx1203Y	120/208V	3-phase Wye, 4-wire + ground
OVRHTExx2203Y	220/380V	3-phase Wye, 4-wire + ground
OVRHTExx2403Y	240/415V	3-phase Wye, 4-wire + ground
OVRHTExx2773Y	277/480V	3-phase Wye, 4-wire + ground
OVRHTExx3473Y	347/600V	3-phase Wye, 4-wire + ground
OVRHTExx1203H	120/240V	3-phase Hi-Leg, 4-wire + ground
OVRHTExx2403D	240V	3-phase Delta, 3-wire + ground
OVRHTExx3803D	380V	3-phase Delta, 3-wire + ground
OVRHTExx4803D	480V	3-phase Delta, 3-wire + ground

Model number: Where "xx" can be 25, 50, 80, or 100

OVRHTE/100–80kA/1,000A and below

OVRHTE/50kA/400A and below

OVRHTE/25kA/100A and below

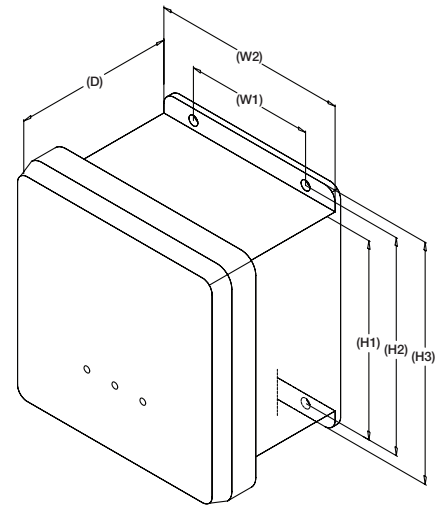
Product specifications

Electrical	
Maximum surge current rating	Model number dependent Per phase Per mode 50kA 25kA 100kA 50kA 160kA 80kA 200kA 100kA
Nominal discharge current rating (I-n)	20kA
Operating frequency	47–63Hz
Connection methods	Parallel to load (shunt) 609.6mm (24") 5mm ² (#10 AWG) wires through 20A (max) breaker
Modes of protection	L-L, L-N, L-G, N-G
Fault rating (SCCR)	65kAIC – upstream over-current protection device (breaker or fuse required)
Response time	Less than 1 nanosecond (one per phase)
Standard monitoring	LED status indicator lights
Mechanical	
Weight	5.8 kg (12.7 lbs.)
Enclosure type	NEMA 4X fiberglass-reinforced polyester (FRP) surface-mount, non- removable cover
Installation location	Indoor/outdoor
Mounting methods	Dual mounting flanges
Operating environment	40° to +60°C (-40° to +140°F)
Altitude	Up to 5000 m (16,400 ft.)
Product design	No internal fusing
Regulatory	
UL 1449 4th edition	Type 2
UL 1283	Yes
IEEE C62.41.1, .2, C62.45	Yes
Listed by	UL
EMI/RFI filter attenuation	
Max. attenuation frequency	50dB @ 100kHz
Warranty	5-years



Available option*	Suffix number
Dry Form "C" relay contacts	5
*Add applicable suffix to the end of Model number. Example: OVRHTE251201P5	
Stand alone options (To be ordered as a separate item)	
Option A OVRHTEMCK Metallic conduit kit	Metallic conduit installation kit has a 19.05mm (3/4") x 76.2mm (3") metallic nipple and all associated hardware required to complete the OVRHTE installation
Option B OVRHTEMPCK Plastic conduit kit	Flexible plastic conduit installation kit, including 457.2mm (18") flexible conduit and all associated hardware required to complete the OVRHTE installation

Dimensional specifications



Dim	Millimeters (Inches)
H1	156.7 (6.17)
H2	171.5 (6.75)
H3	190.4 (7.50)
W1	101.9 (4.01)
W2	155.4 (6.12)
D	127.5 (5.01)

Performance data

Model number	Protection mode	MCOV	UL 1449 4th edition 6kV, 3kA VPR
OVRHTExx1201P	L-N	150V	600
	L-G	150V	600
	N-G	150V	600
OVRHTExx2401P	L-N	320V	900
	L-G	320V	1000
	N-G	320V	1000
OVRHTExx1202S	L-L	300V	1000
	L-N	150V	600
	L-G	150V	600
OVRHTExx1203Y	N-G	150V	600
	L-L	300V	1000
	L-N	150V	600
OVRHTExx2203Y	L-G	150V	600
	L-L	550V	1500
	L-N	275V	900
OVRHTExx2403Y	L-G	275V	900
	N-G	275V	900
	L-L	552V	1800
OVRHTExx2773Y	L-L	552V	1800
	L-N	320V	900
	L-G	320V	1000
OVRHTExx3473Y	N-G	320V	1000
	L-L	690	2500
	L-N	400	1800
OVRHTExx2403H	L-G	400	1800
	N-G	400	1500
	L-L	300V	1000
OVRHTExx2403D	L-N	150V	600
	L-G	150V	600
	N-G	150V	600
OVRHTExx3803D	H-L	425V	1500
	H-N	275V	900
	H-G	275V	900
OVRHTExx4803D	L-L	275V	1000
	L-G	550V	900
	L-L	550V	1800
OVRHTExx4803D	L-G	400V	1500
	L-L	640V	1800
OVRHTExx4803D	L-L	640V	1800
	L-G	550V	1800

Where "xx" = 25, 50, 80, 100 kA per mode

All OVRHTE systems' Voltage Protection Ratings (VPRs) are peak values taken at the 90° point on the sine wave.

Ring Wave values are taken at the 180° point on the sine wave. All data collection is in compliance with testing and evaluation procedures as outlined in ANSI/IEEE C62.45

ABB Power Protection LLC

EPSB

Low Voltage Products

5900 Eastport Blvd.

Richmond, VA 23231, USA

new.abb.com/low-voltage/products

We reserve the right to make technical changes or modify the contents of this document without prior notice. With regard to purchase orders, the agreed particulars shall prevail. ABB Power Protection does not accept any responsibility whatsoever for potential errors or possible lack of information in this document.

We reserve all rights in this document and in the subject matter and illustrations contained therein. Any reproduction, disclosure to third parties or utilization of its contents – in whole or in parts – is forbidden without prior written consent of ABB Power Protection. Copyright © 2019 ABB