

GROUND BAR CHAIR BSOG



“The Castle BSOG is incredibly strong, perfect for our commercial applications”

– Auckland Installer

The design specifics of our **BSOG Big Slab on Ground Chair.**

Castle NZ Big Slab on Ground (BSOG) chairs manufactured in NZ. These are suitable for deep ground slabs in roads, civil and commercial projects. They can be a suitable substitute for metal chairs as they are very strong but lightweight and rust free. Featuring a wide base which provides strength and stability to the product, at the same time it helps when placing separate bases.

The chairs have been designed to support layered mesh or bar up to 25mm diameter and are load tested to exceed 300kg, available in 100 and 120mm heights.

These chairs are batch tested and meet the AS/NZS 2425:2015 Standards for bar chairs in reinforced concrete.

Perfect For:

Slab on ground applications, Commercial floors,
Double layer mesh floors, Civil precast construction.

PAGE 2
FOR MORE INFO



0800 55 33 00

APPLICATIONS

- Slab on Ground
- Commercial Slabs
- Commercial & Civil construction
- Double layer mesh / bar

FEATURES AND BENIFITS

- Clip Style top
- Fits mesh/bar sizes 6-25mm
- Stable support rated to 300kg
- New Zealand Made
From 100% recycled plastics

TECHNICAL CHARACTERISTICS

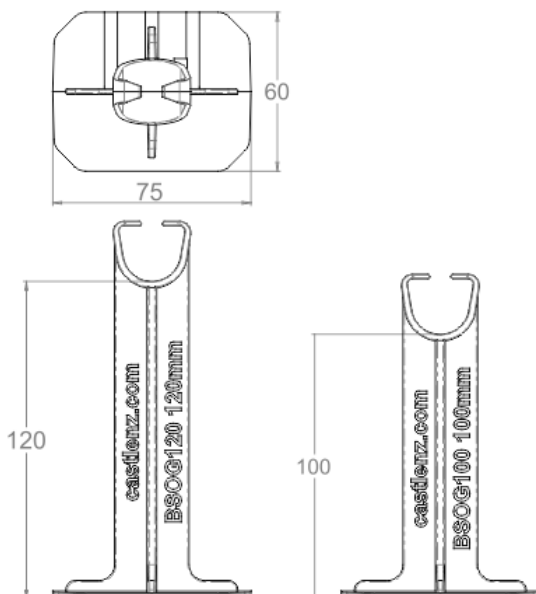
Code	BSOG100 & BSOG120
Cover	100mm & 120mm
Load Rating	300kg
Diameter	75mm
Colour	Recycled Varies
Bag Quantity	100 units
Pallet Quantity	3,000 units
Pallet Weight	137kg & 146kg
Pallet Cubic Area (m ³)	1.32m ³
Test Standard	AS/NZS 2425:2015
H2S Resistance	A1 - Excellent*
Material	HIPS or RPET

*Chemical Effect; Excellent. Satisfactory to 72°F (22°C)

EVERYDAY APPLICATION



TECHNICAL DIMENSIONS



TEST DATA

