

GROUND BAR CHAIR

G85/100 - GEN#2



POSITIVE CLIP-ON



FITS STEEL 6 - 25mm

“What we like about Castle is they are always right there to help and have stock on hand”

- John - Distributor

The design specifics of our **G85/100 Ground Bar Chair**.

This is a generation #2 Castle Barchair adopting some of the new stacking and stabilizing features unique to Castle NZ. The Gen #2 85/100 is designed with the user and highest construction standards in mind, built to withstand high loading and features include the Castle handy clip on function so you can clip on to the mesh upside down and give the mesh a shake and all the chairs swing into place. Also can be stacked using the Pc5060 to achieve 115, 125, 135 and 145mm covers. See demonstration on reverse.

These chairs are batch tested and meet the AS/NZS 2425:2015 Standards for bar chairs in reinforced concrete.

Perfect For:

Slab on ground applications, Trench bar supports, Driveways, Paths, Patios, Civil precast construction.

PAGE 2
FOR MORE INFO



0800 55 33 00

APPLICATIONS

- Slab on Ground
- Patios, Paths, Driveways
- Trench bar supports
- Civil Precast construction
- Double layer mesh / bar

FEATURES AND BENIFITS

- Clip Style top
- Fits mesh/bar sizes 6-25mm
- Heavy duty stable support rated to 180kg
- Multi stackable to achieve cover.

TECHNICAL CHARACTERISTICS

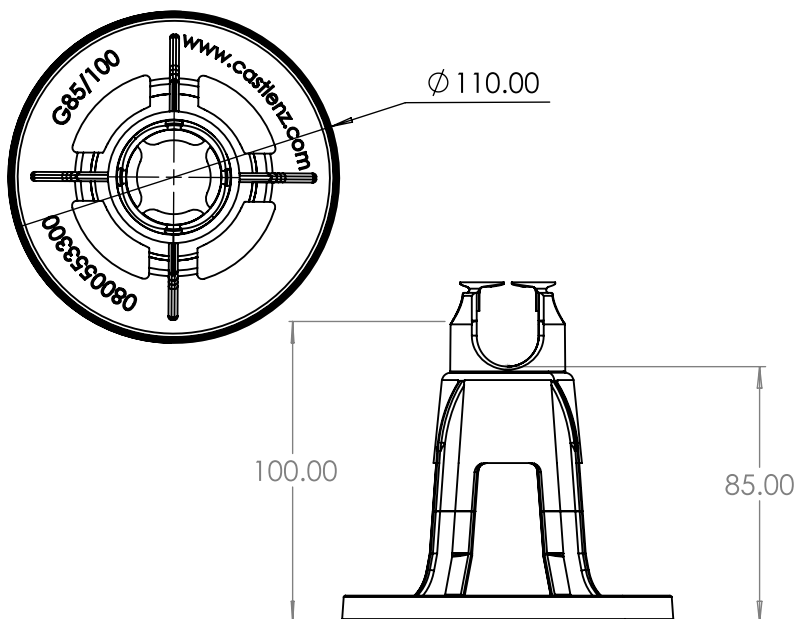
Code	G85/100
Cover	85 & 100mm
Load Rating	>160kg
Diameter	110mm
Colour	Multi
Bag Quantity	50 units
Bag Weight	2.4kg
Pallet Quantity	2500 units
Pallet Weight	140kg
Pallet Cubic Area (m ³)	1.40m ³
Material	Polypropylene (PP)

EVERYDAY APPLICATION

- Stack with Castle PC50/60 to achieve 115/125mm



TECHNICAL DIMENSIONS



TEST DATA

