

GROUND BAR CHAIR

G85/100 - GEN#2



POSITIVE CLIP-ON



FITS STEEL 6 - 25mm

“What we like about Castle is they are always right there to help and have stock on hand”

- John - Distributor

The design specifics of our **G85/100 Ground Bar Chair**.

This is a generation #2 Castle Barchair adopting some of the new stacking and stabilizing features unique to Castle NZ. The Gen #2 85/100 is designed with the user and highest construction standards in mind, built to withstand high loading and features include the Castle handy clip on function so you can clip on to the mesh upside down and give the mesh a shake and all the chairs swing into place. Also can be stacked using the Pc5060 to achieve 115, 125, 135 and 145mm covers. See demonstration on reverse.

These chairs are batch tested and meet the AS/NZS 2425:2015 Standards for bar chairs in reinforced concrete.

Perfect For:

Slab on ground applications, Trench bar supports, Driveways, Paths, Patios, Civil precast construction.

PAGE 2
FOR MORE INFO



0800 55 33 00

TECHNICAL INFORMATION

APPLICATIONS

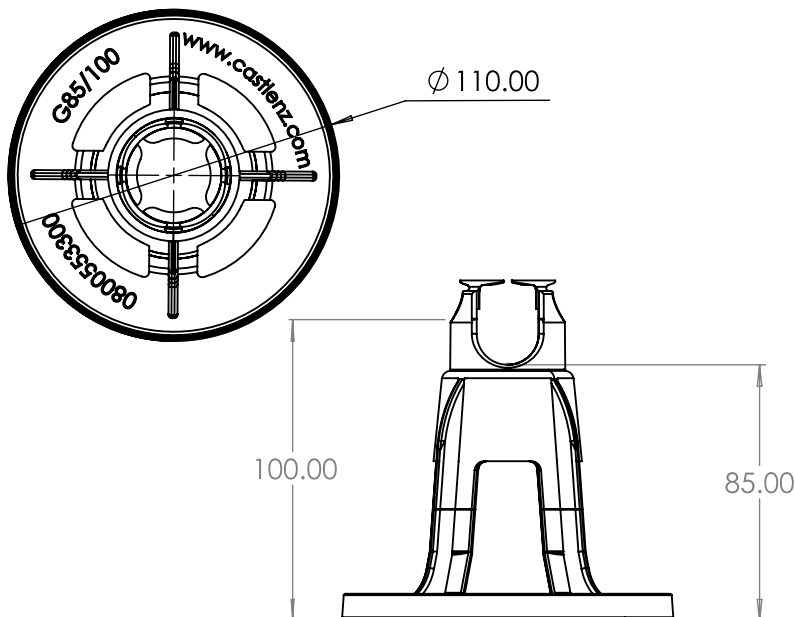
- Slab on Ground
- Patios, Paths, Driveways
- Trench bar supports
- Civil Precast construction
- Double layer mesh / bar

TECHNICAL CHARACTERISTICS

Code	G85/100
Cover	85 & 100mm
Load Rating	>160kg
Diameter	110mm
Colour	Multi
Bag Quantity	50 units
Bag Weight	2.4kg
Pallet Quantity	2,000 units
Pallet Weight	112kg
Pallet Cubic Area (m ³)	1.40m ³
Test Standard	AS/NZS 2425:2015
H2S Resistance	A1 - Excellent*
Material	Polypropylene

*Chemical Effect; Excellent. Satisfactory to 72°F (22°C)

TECHNICAL DIMENSIONS



FEATURES AND BENEFITS

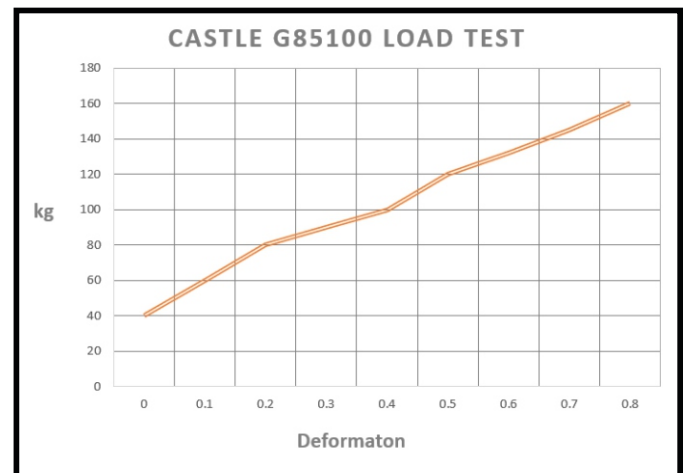
- Clip Style top
- Fits mesh/bar sizes 6-25mm
- Stable support rated to 180kg
- Multi stackable to achieve cover.

EVERYDAY APPLICATION

- Stack with Castle PC50/60 to achieve 115/125mm



TEST DATA



0800 55 33 00