



30 ft. High-Power Symmetrical T Antenna

Part Number: SLF10063 and SLF10067

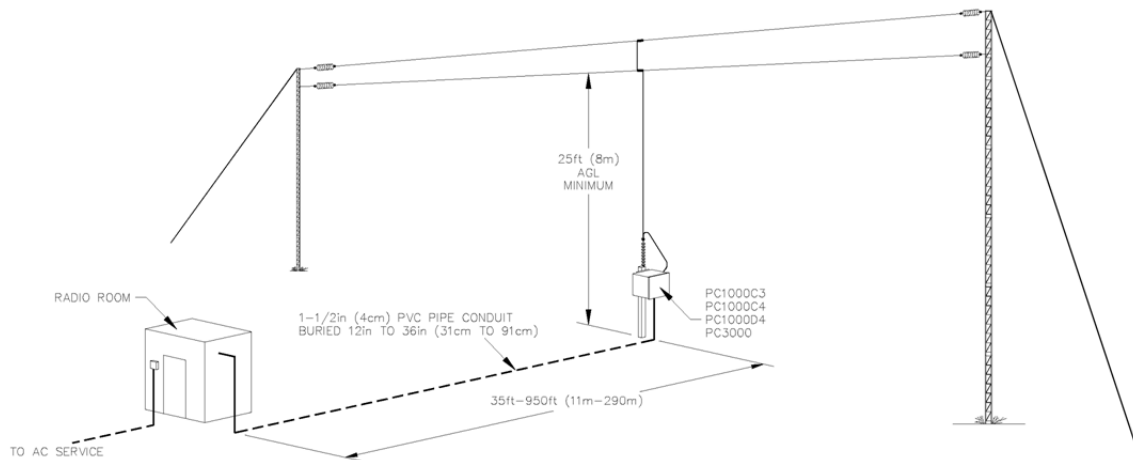
SPECIFICATION SHEET

5055 Belmont, Beaumont, TX 77707

Phone +409.842.1717

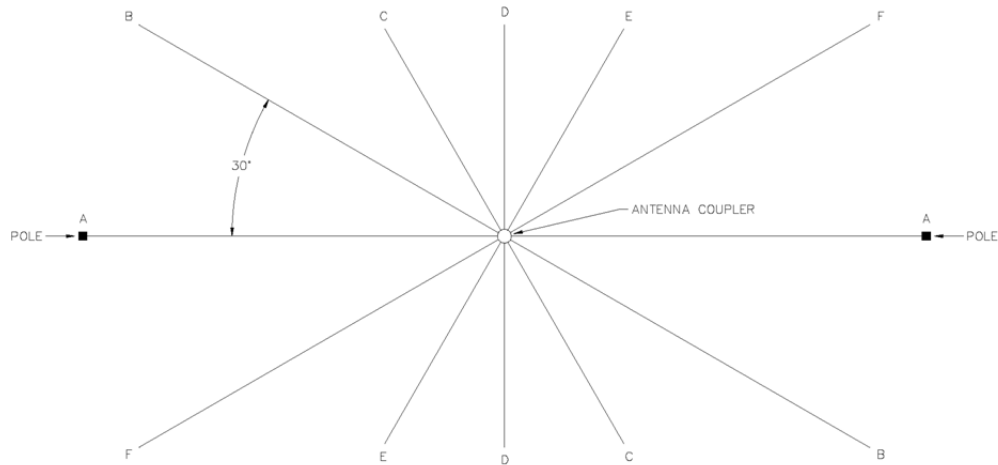
Fax +409.842.2987

sales@southernavionics.com



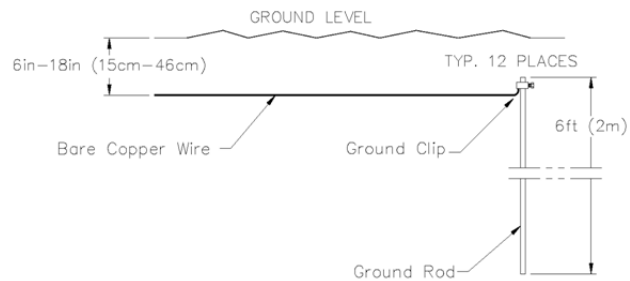
FEATURE	SPECIFICATION
System Resistance	Typically 10 Ohms for good ground
Power Rating	4000 Watts (PEP)
Capacitance	869pF
Frequency of Operation	190kHz-535kHz
Range (125W Transmitter) over Good Ground	45 nautical miles at 190 kHz to 60 nautical miles at 535 kHz
Range (250W Transmitter) over Good Ground	60 nautical miles at 190 kHz to 65 nautical miles at 535 kHz
Range (500W Transmitter) over Good Ground	90 nautical miles at 190 kHz to 70 nautical miles at 535 kHz
Range (1000W Transmitter) over Good Ground	105 nautical miles at 190 kHz to 90 nautical miles at 535 kHz
Polarization	Vertical (Omni-directional pattern)
Electrical Length	9m
Wind Rating	130 mph (209km/h)
Height of towers	30 ft. (9m)
Ground Plot Requirements	160 ft. (49m) x 364 ft. (111m)
Weight of installed towers	270lbs. (123kg)
Optional Equipment	Tower Supports, Installation Kit, Antenna Simulator, Obstruction Lights, Anti-Ice Insulators, and 24 radial counterpoise
Temperature Range	-50° to 70°C
Ice Rating	Derate Wind Rating with any ice accumulation
12 Radial Ground System	1500 ft. (457m) of #10 AWG soft-drawn copper wire, 13 2m ground rods, ground clamps, and associated hardware

12 Radial Counterpoise Diagram



LENGTH OF

A-A	=	300ft	(91m)
B-B	=	300ft	(91m)
C-C	=	170ft	(52m)
D-D	=	150ft	(46m)
E-E	=	170ft	(52m)
F-F	=	300ft	(91m)
TOTAL		1390ft	(424m)



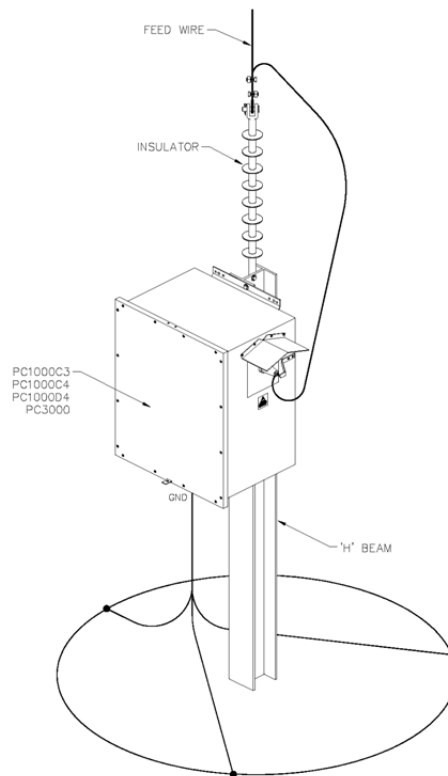
Application:

A Symmetrical "T" Antenna (SLF10063) is recommended for use with a 100 - 1000 Watt transmitter if sufficient land is available. It is the optimal land based antenna system.

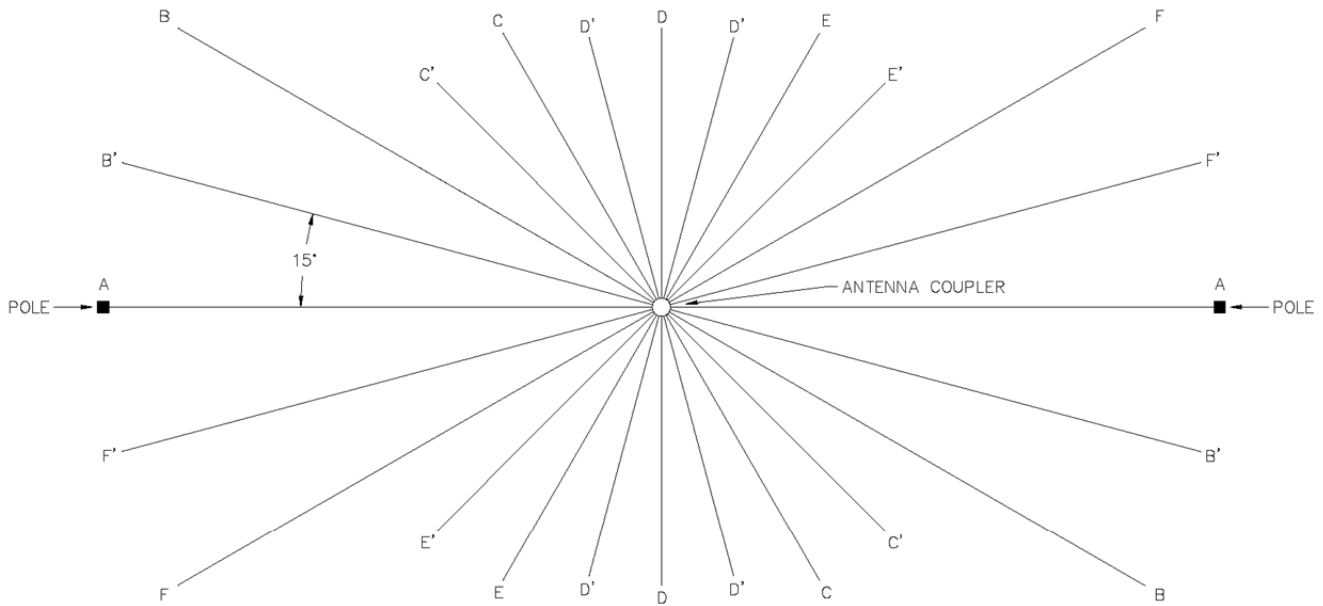
Signal range is a result of field strength which depends on TX power, electrical length and ground conditions.

30 ft. (9m) grounded towers (SLF10067) are required. They may be purchased from SAC or self-supplied. Towers are placed 300 ft. (91m) apart and have a 25 ft. (8m) vertical radiator and a 2 wire 280 ft. (85m) top hat. 3 guy wires support each tower.

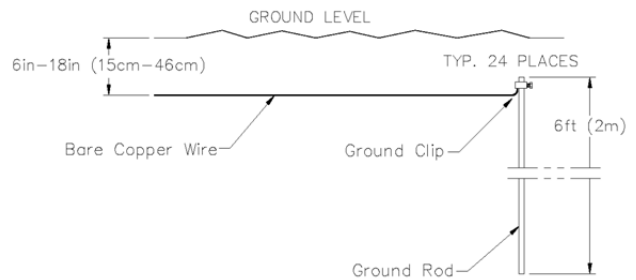
The Antenna is designed for use with any SAC Antenna Tuning Unit. The PV1000 and PV3000 comes standard with an AC power supply installed.



24 Radial Counterpoise Diagram



LENGTH OF	
A-A	= 300 ft. (91m)
B'-B'	= 300 ft. (91m)
B-B	= 300 ft. (91m)
C'-C'	= 170 ft. (52m)
C-C	= 170 ft. (52m)
D'-D'	= 150 ft. (46m)
D-D	= 150 ft. (46m)
D'-D'	= 150 ft. (46m)
E-E	= 170 ft. (52m)
E'-E'	= 170 ft. (52m)
F-F	= 300 ft. (91m)
F'-F'	= 300 ft. (91m)
TOTAL	2630ft. (801m)



Application:

Twelve (12) radials are generally adequate for "normal" soil, but in cases of poor ground conductivity, the number of radials can be doubled by using option SLF87740 which will double the number of radials to 24.

*Information provided is subject to change without notice