

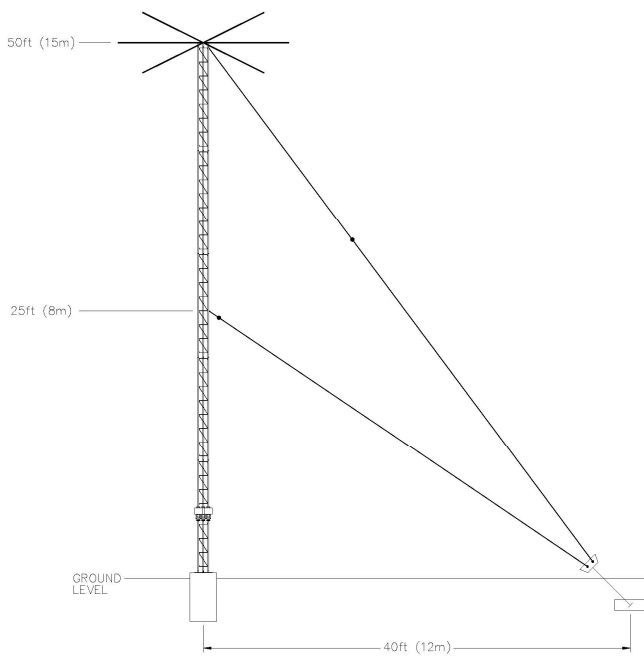


## 50 ft. Mast Antenna

Part Number: SLF10002

SPECIFICATION SHEET

5055 Belmont, Beaumont, TX 77707  
 Phone +409.842.1717  
 Fax +409.842.2987  
 sales@southernavionics.com



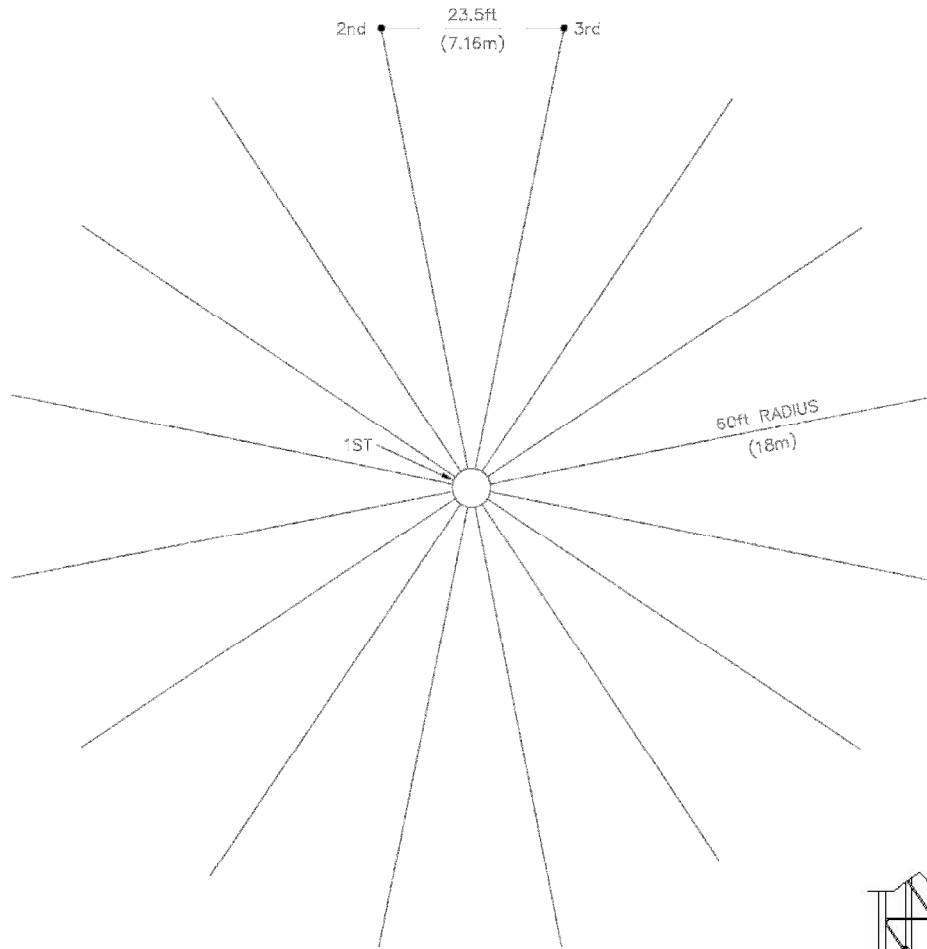
FEATURE	SPECIFICATION
Resistance	2-30 Ohms, 10 Ohms typical
Max Power Rating	1000 Watts PEP / 250 Watts carrier power at 100% amplitude modulation
Capacitance	376 pF standard
Frequency of Operation	190-650 kHz
Polarization	Vertical
Pattern	Omni-directional
Antenna Gain	-10 dBi@ 300 kHz
Electrical Length	33.6 ft. (10m)
Wind Rating	130 mph (209km/hr)
Height	50 ft. (15m)
Weight	362 lbs. (164kg)
Sections	Four (4) 10 ft. (3m) sections, two (2) 5 ft. (1.5) RF insulator sections
Finish	Galvanized steel to ASTM A123
Temperature Range	-50°C - +70°C
Base Pier Rating	14000 lbf. (62275N)
16 Radial Ground System	1100 ft. (335m) of #10 AWG soft-drawn copper wire, 17 6 ft. (2m) ground rods, ground clamps, associated hardware
Optional Equipment	Installation Kit, Antenna Simulator, Enhanced Counterpoise SLF87720, Obstruction LED kit SLJ00197

\*Information provided is subject to change without notice

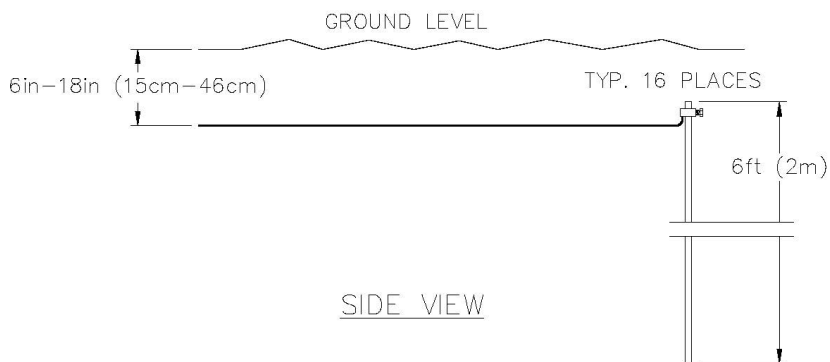
### **Mechanical:**

The antenna is made of 4, 10 ft. (2m) galvanized steel sections configured on 12.5 in (32cm) equilateral triangular design with electrically welded continuous steel “zigzag” cross bracing. 2, 5 ft. (1.5m) RF insulator sections are also provided. The lattice tower sections are designed in accordance with U.S. National Standard ANSI/EIA-222 F.

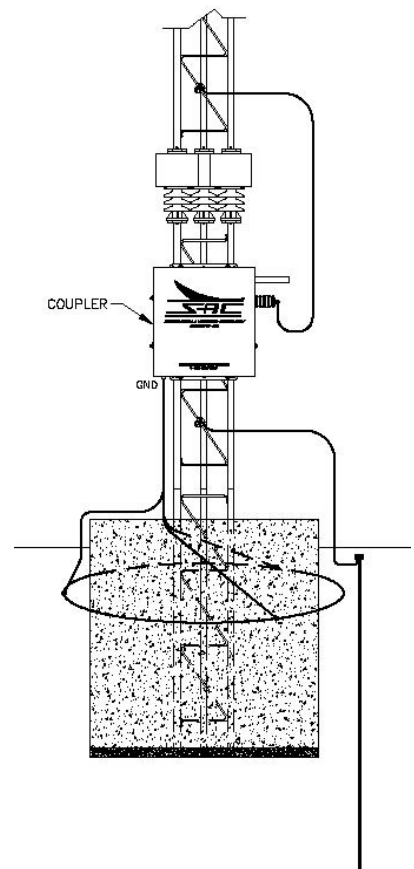
Three (3) high voltage insulators are used to isolate the radiator from the ground. Rain shields are included to prevent water sheeting during heavy rain. Three top-loading guy wires are used to develop and enhance antenna capacitance.

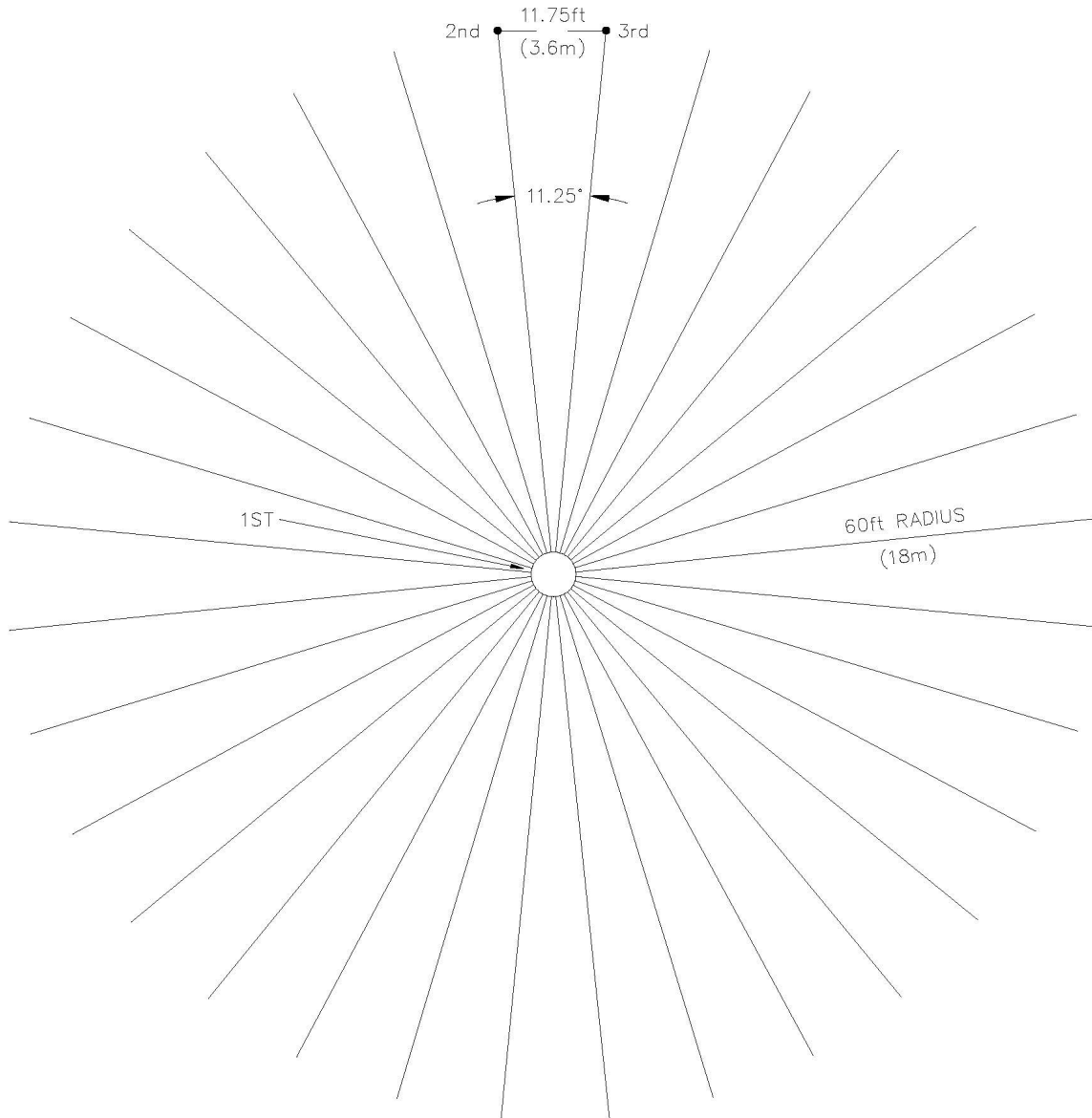


16 Radial Counterpoise Diagram

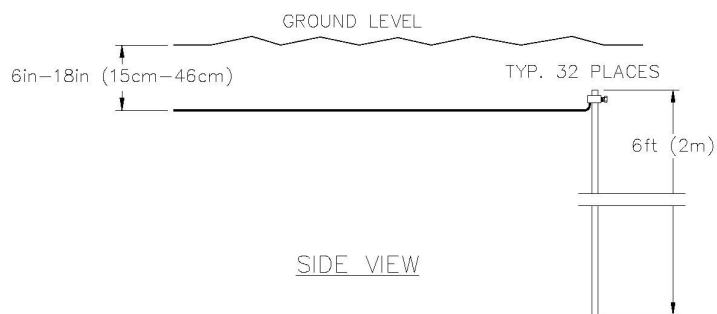


SIDE VIEW





32 Radial Counterpoise Diagram



**Application:**

Sixteen (16) radials are generally adequate for "normal" soil, but in cases of poor ground conductivity, the number of radials can be doubled by using option SLF87720 which will double the number of radials to 32.