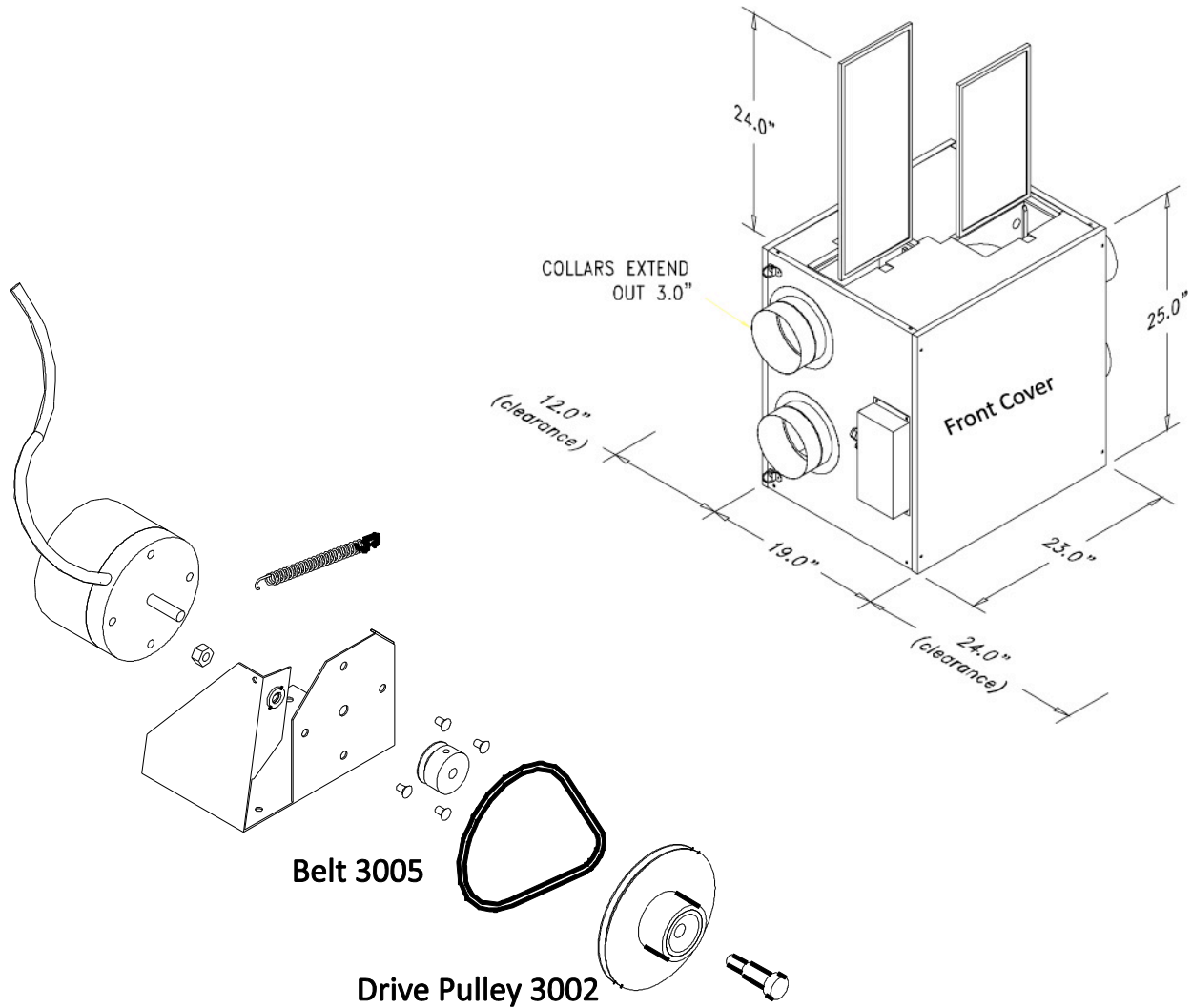




Changing the Belt Part #3005

The Drive Roller Belt connects the drive motor to the rubber drive roller, which rotates the energy recovery wheel. Please follow these steps to replace the Drive Roller Belt.

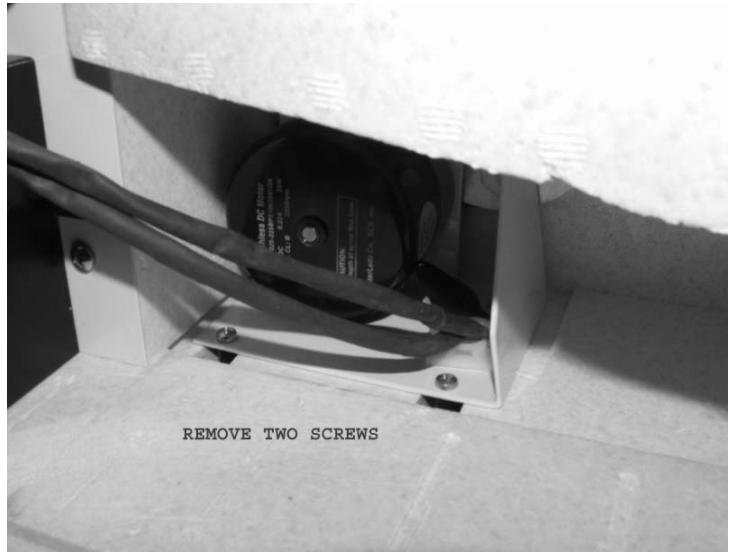
This should be done by a HVAC installer. Technical support is available by calling UltimateAir 800.535.3448



Continued on next page.....

Changing the Belt

1. **Disconnect Power**
2. **Open Latches to remove the filter access cover** then the Front Panel *See Illustration*
3. **Remove the two screws** mounting the motor/drive roller assembly in place. The 7mm Hex Head screws are visible and closest to you. The motor wiring may remain connected. The rear of the motor mount sits on two snap top posts.
4. **Carefully rock the motor/drive roller assembly** loose to remove.
5. **Replace Drive Roller Belt** by stretching the new belt onto the pulleys.
6. **Re-Install motor / drive roller assembly** into the unit by first aligning the rear posts, then replacing the two screws.
7. **Re-Install white foam board** with the metal front cover.
8. **Operate unit** with wheel visible through top door to verify rotation.



Updated April 12, 2016 by MB

