

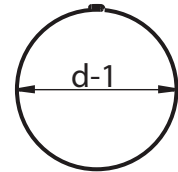
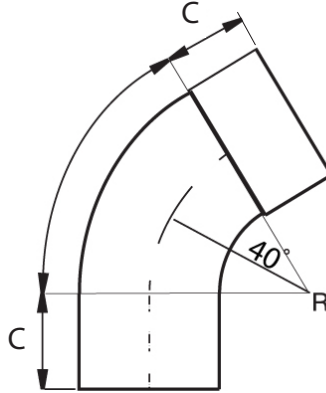
WORLD GUTTER SYSTEMS™ INC.

Superior Gutters Made Simple

Tel: (814) 455-7430 | Fax (814) 464-8838 | Email: sales@slateandcopper.com | Web: www.slateandcopper.com



Smooth-Seamless Copper Elbow 40° degree

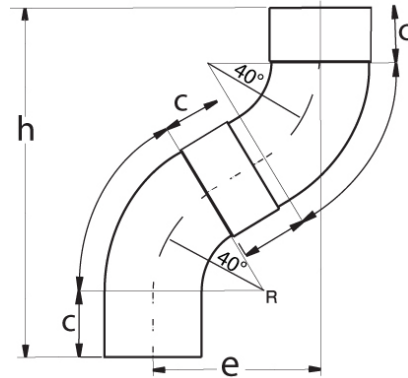


size	part #	d-1	c
2"	ED240	2.25"	1.5"
3"	ED340	3" / 76mm	1.5"
4"	ED440	4" / 100mm	1.5"
5"	ED540	4.7" / 120mm	1.625"

Produced from 18 oz. (.024") Pure Copper

Offset of Two 40° Elbows

pipe size	e	h	c
2"	2.5"	8.375"	1.5"
3"	2.5"	9.500"	1.5"
4"	3.250"	11.250"	1.5"
5"	4.625"	13.00"	1.625"



40° Copper Elbow

Size	Part #
2 INCH	ED240
3 INCH	ED340
4 INCH	ED440
5 INCH	ED540

Date	Invoice#	Project	Company	Architect