

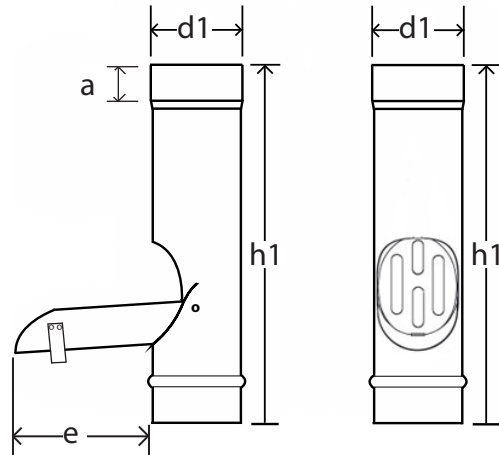
# PREMIER STEEL GUTTER SYSTEM™

Superior Gutters Made Simple



Tel: (814) 455-7430 | Fax (814) 464-8838 | Email: sales@slateandcopper.com | Web: www.premiersteelgutters.com

## 3" 4" & 5" Downspout Cleanout



size	material thickness	d1	h1	a	e
3"	18oz.	3.10"	15.75"	2.00"	5.00"
4"	18oz.	4.00"	15.75"	2.00"	5.00"
5"	18oz.	4.70"	15.50"	1.75"	6.75"

bracket has a durable premium weathering powder coat finish and is produced from heavy .0937" G90 galvanized steel. available in 4 popular colors.

### Downspout Cleanout

Color	Part #	3"	4"	5"
WHITE		WTZ3INC	WTZ4INC	WTZ5INC
DARK BRONZE		DBZ3INC	DBZ4INC	DBZ4INC
BLACK		BKZ3INC	BKZ4INC	
DARK CHARCOAL		DCZ3INC	DCZ4INC	
NATURAL GRAY METALIC		NGZ3INC	NGZ4INC	
UNPAINTED G-90 GALVANIZED		UZ3INC	UZ4INC	



Date	Invoice#	Project	Company	Architect